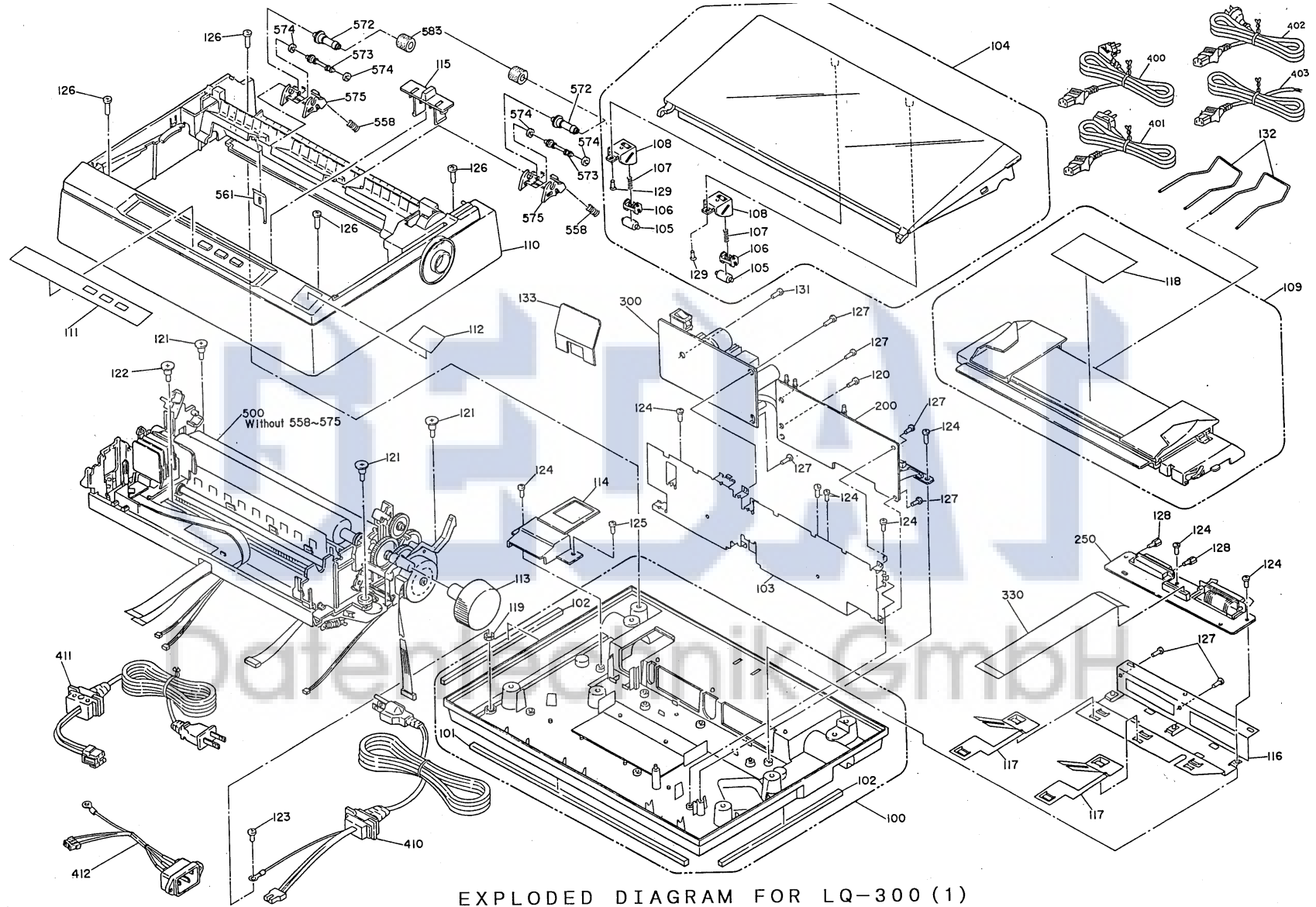
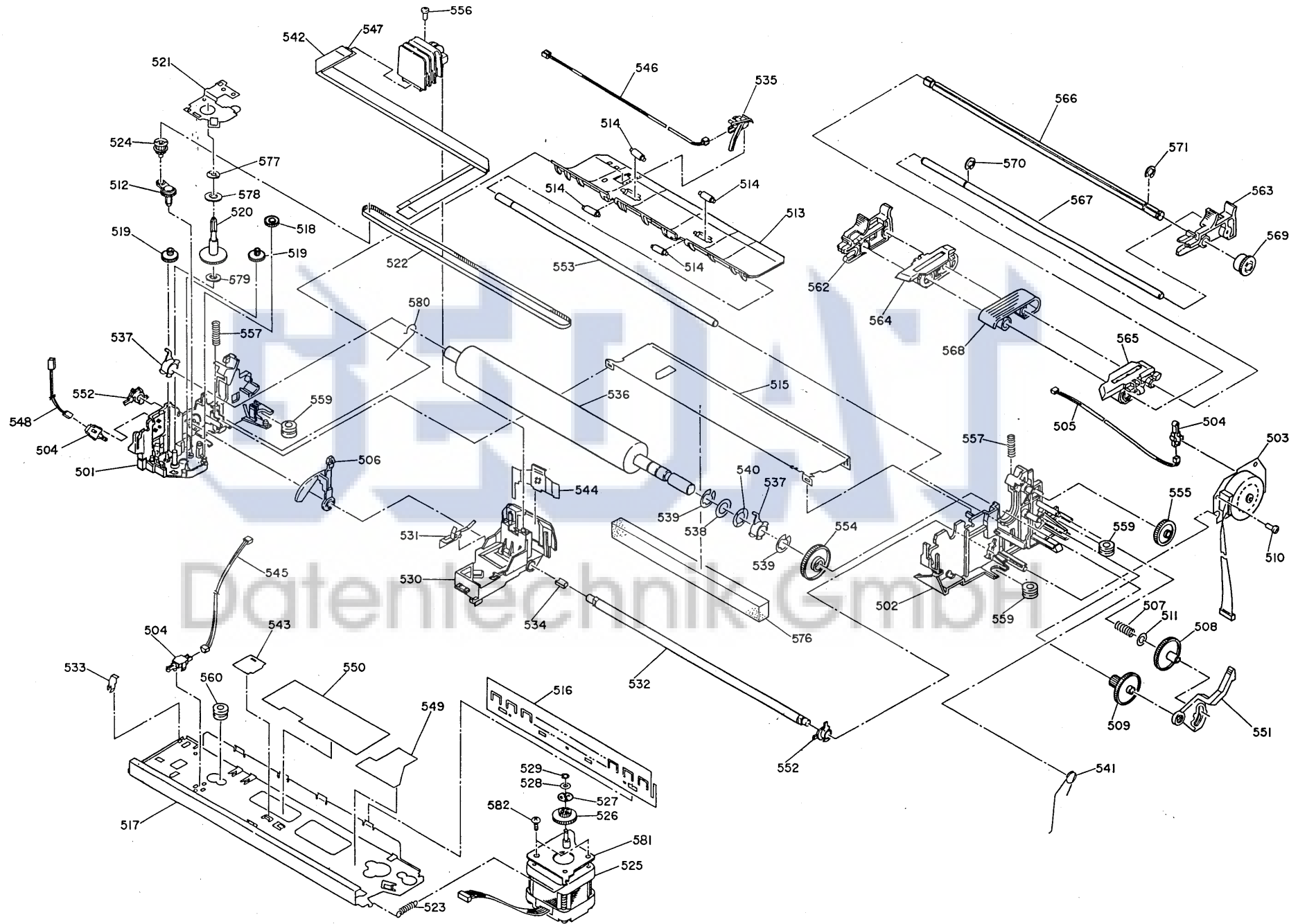


# LQ-300



EXPLODED DIAGRAM FOR LQ-300 (1)



EXPLODED DIAGRAM FOR LQ-300 (2)