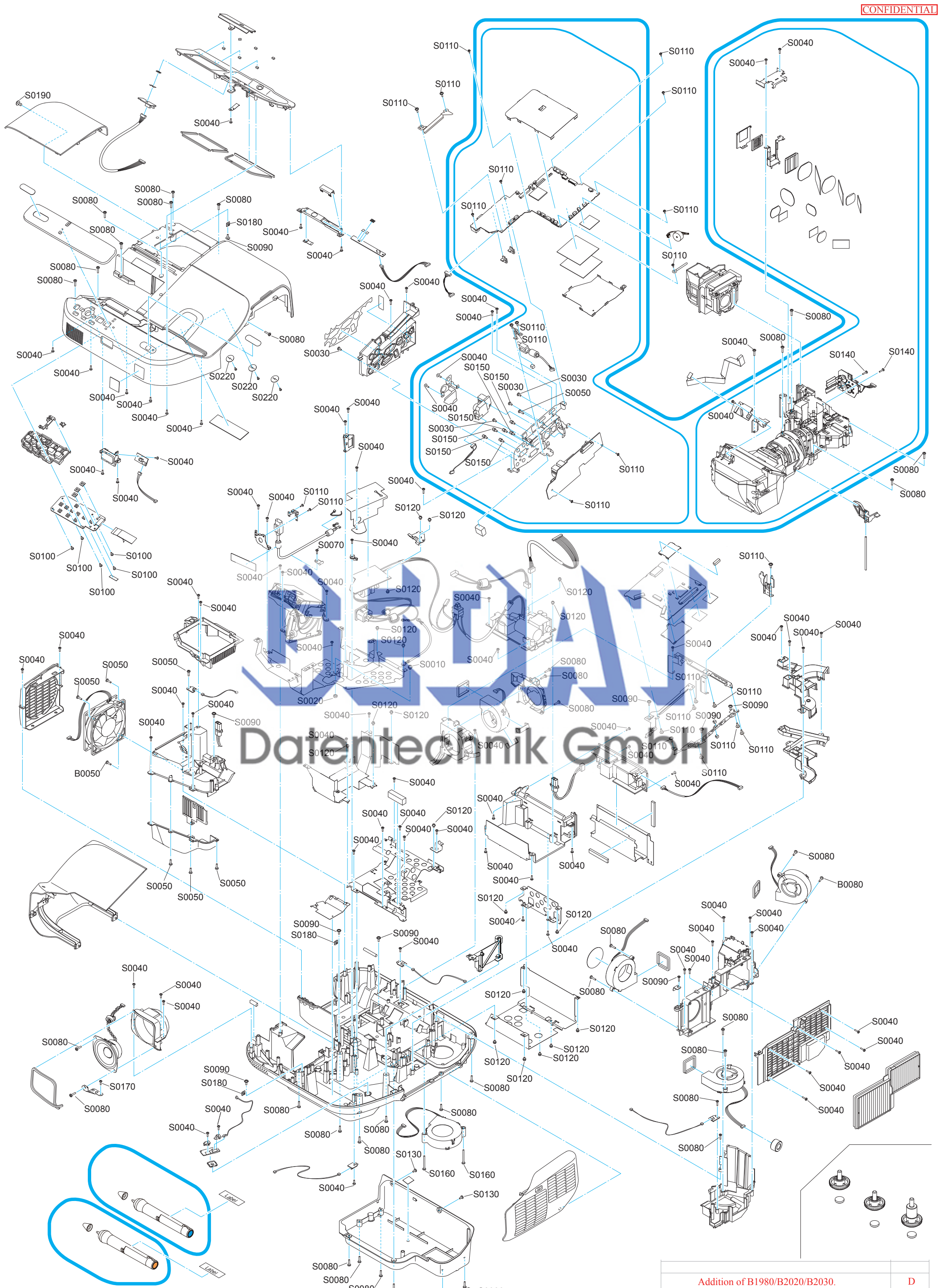


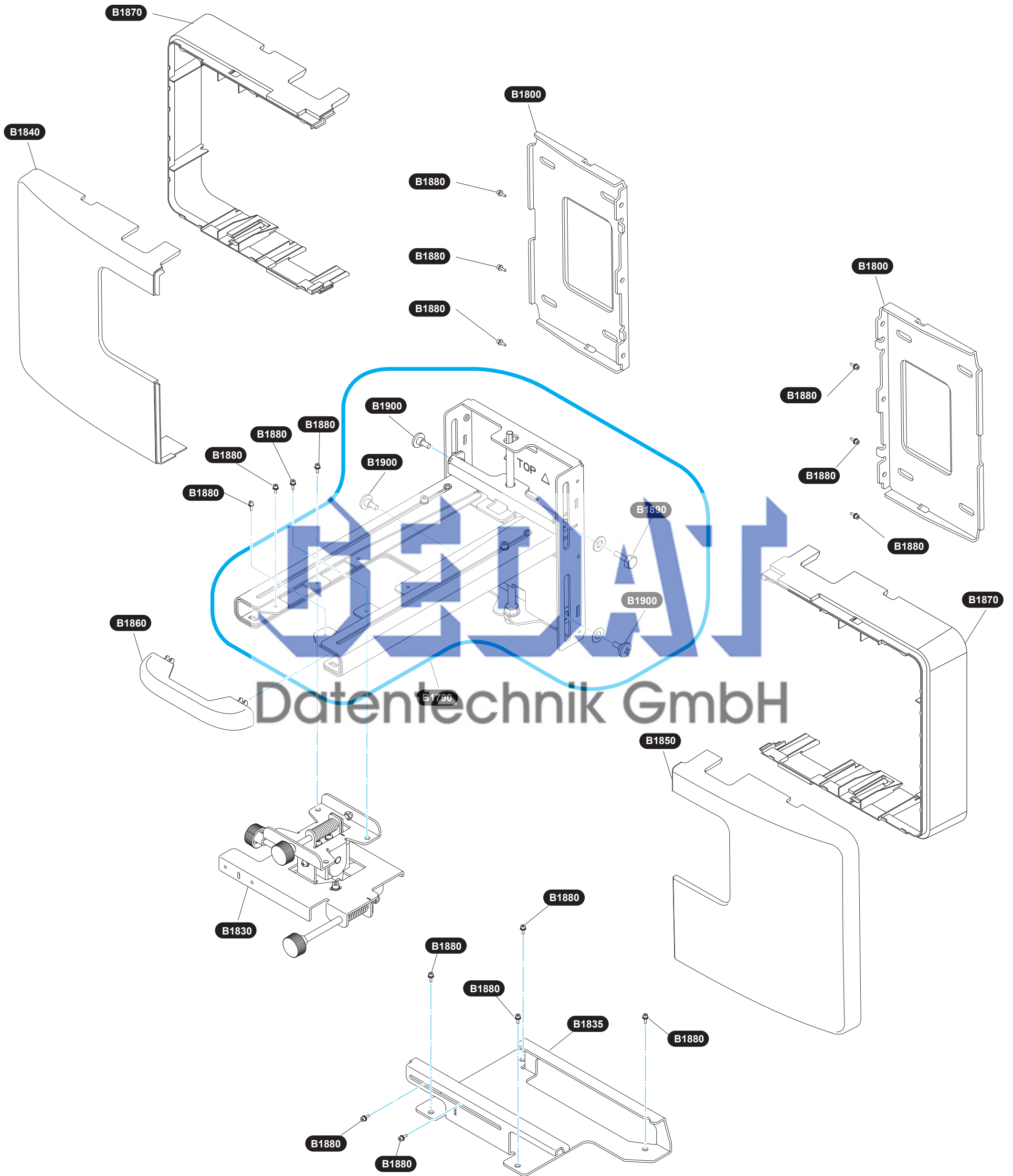
Notes:
White/Black reversed parts code (written by white text on black circle)
This parts are different by model and defined multiple parts code (please check SPI for actual parts code)
By case , some model have no parts though the parts is shown on this diagram.

Addition of B1980/B2020/B2030.		D
History		Rev.No.
Model Name	EB-590WT/595Wi/585Wi/575Wi/585W/575W/580/570	



Notes:
 White/Black reversed parts code (written by white text on black circle)
 This parts are different by model and defined multiple parts code (please check SPI for actual parts code)
 By case , some model have no parts though the parts is shown on this diagram.

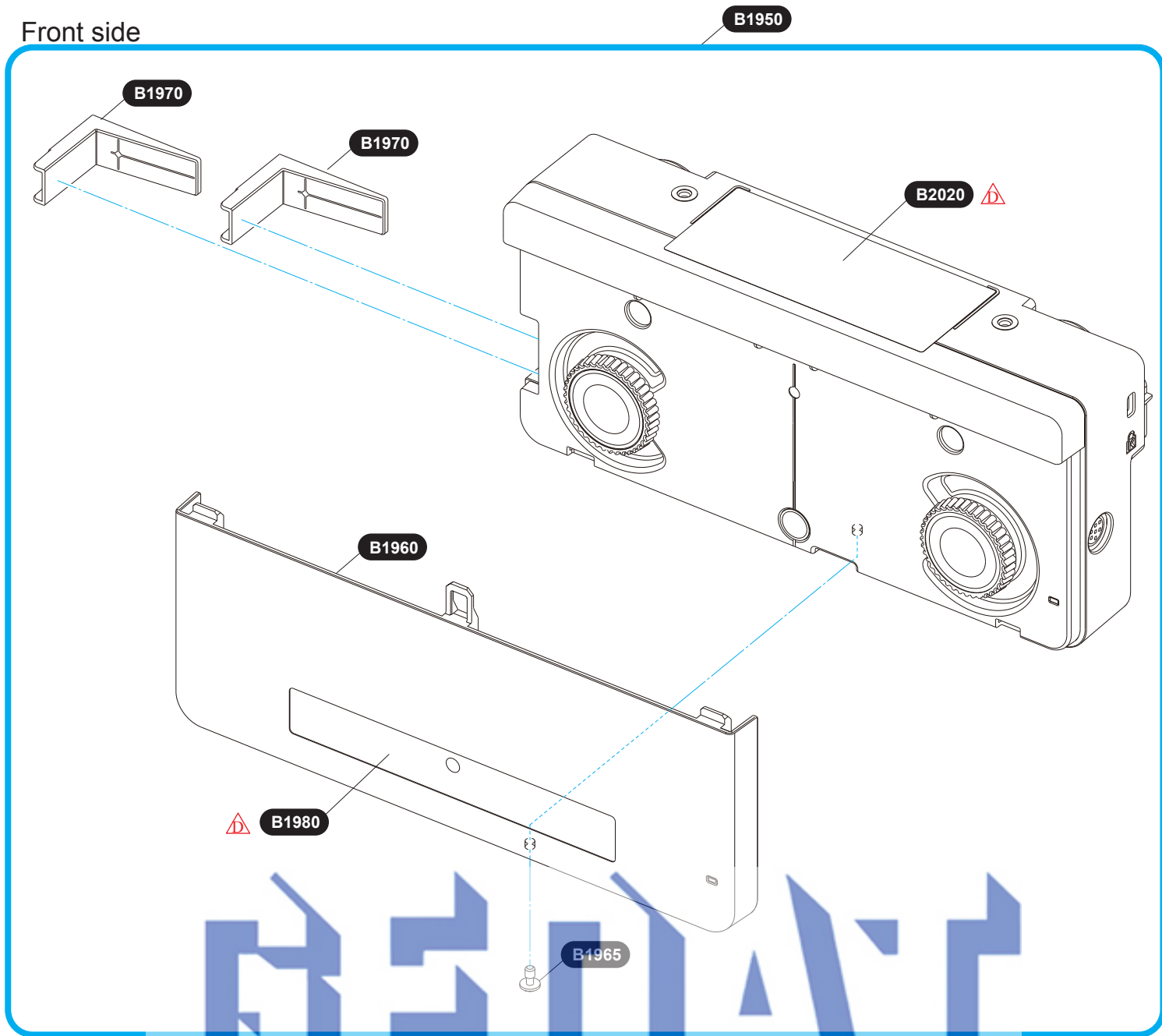
Addition of B1980/B2020/B2030.		D
History		Rev.No.
Model Name	EB-590WT/595Wi/585Wi/575Wi/585W/575W/580/570	



Notes:
 White/Black reversed parts code (written by white text on black circle)
 This parts are different by model and defined multiple parts code (please check SPI for actual parts code)
 By case, some model have no parts though the parts is shown on this diagram.

Addition of B1980/B2020/B2030.		D
Moving of S0110 x5. Change of B1830. Addition of B1835/B1880 x6.		C
<i>History</i>		<i>Rev.No.</i>
<i>Model Name</i>	EB-590WT/595Wi/585Wi/575Wi/585W/575W/580/570	

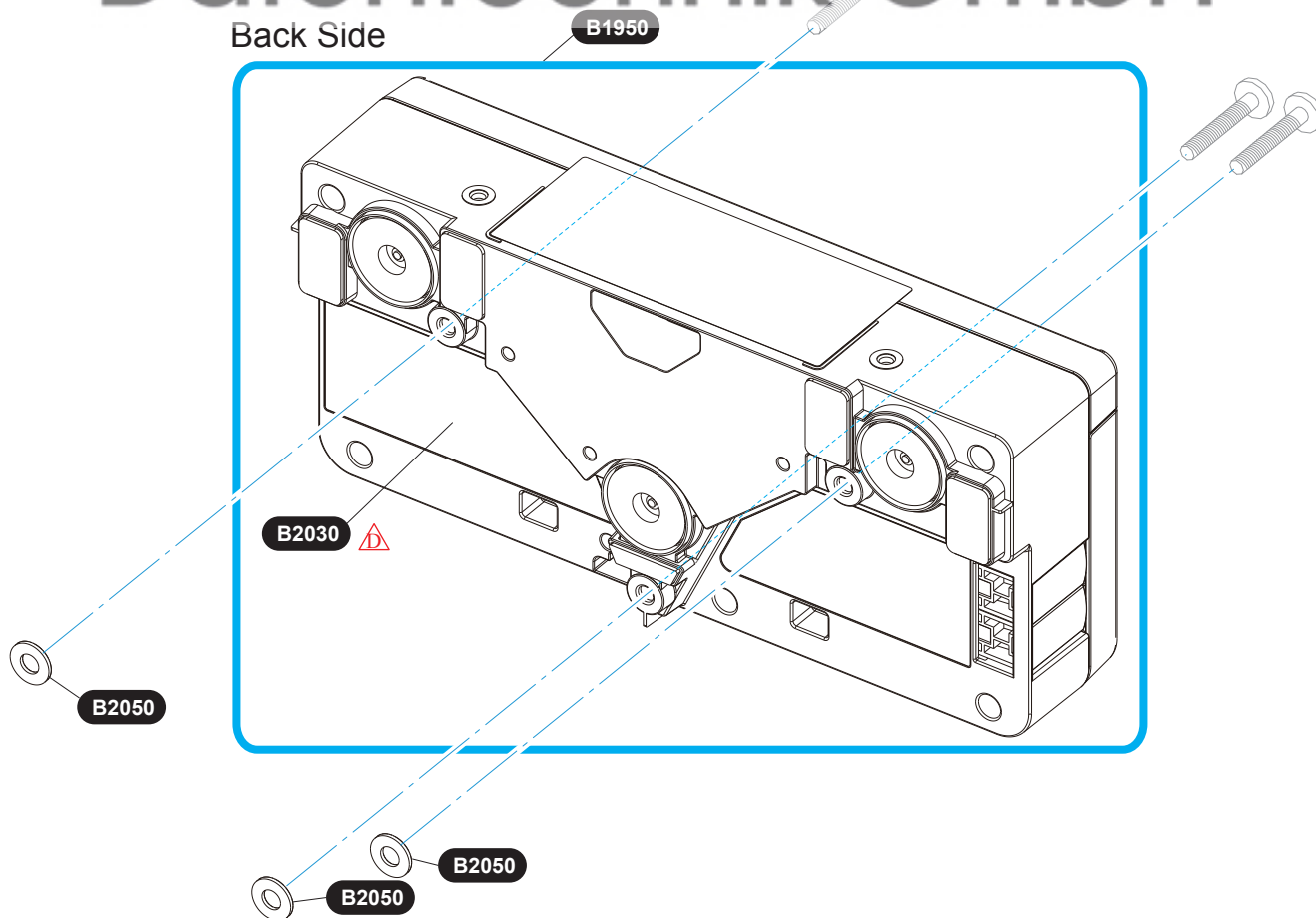
Front side



GSDAT

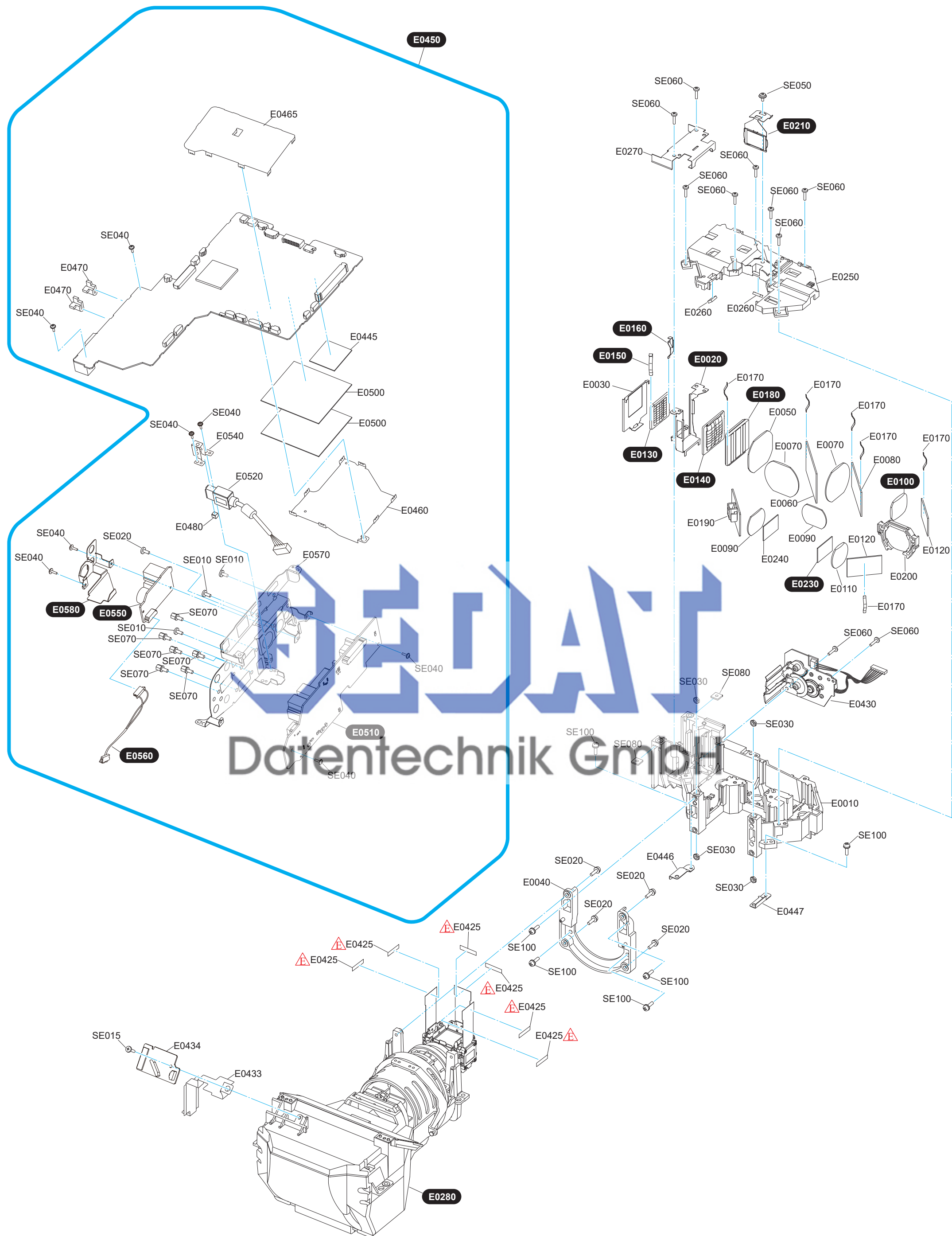
Datentechnik GmbH

Back Side



Notes:
 White/Black reversed parts code (written by white text on black circle)
 This parts are different by model and defined multiple parts code
 (please check SPI for actual parts code)
 By case , some model have no parts though the parts is shown on this diagram.

Addition of B1980/B2020/B2030.		D
Moving of S0110 x5. Change of B1830. Addition of B1835/B1880 x6.		C
Moving of B1700. Change of Ref color B0760/ B1760/B1770/B1780/P0170/P0180/P0190.		B
<i>History</i>		<i>Rev.No.</i>
Model Name	EB-590WT/595Wi/585Wi/575Wi/585W/575W/580/570	



	Adition of E0425.	E
	Change of Ref color E0580. Deletion of E0440.	D
	Additon of Ref# E0480. Deletion of SE040 x5.	C
	Addition of E0465. Moving of E0455.	B
	Change of Ref color E0560/E0020.	A
	History	Rev.No.
Model Name	EB-590WT/595Wi/585Wi/575Wi/585W/575W/580/570	

Notes:
 White/Black reversed parts code (written by white text on black circle)
 This parts are different by model and defined multiple parts code
 (please check SPI for actual parts code)
 By case , some model have no parts though the parts is shown on this diagram.