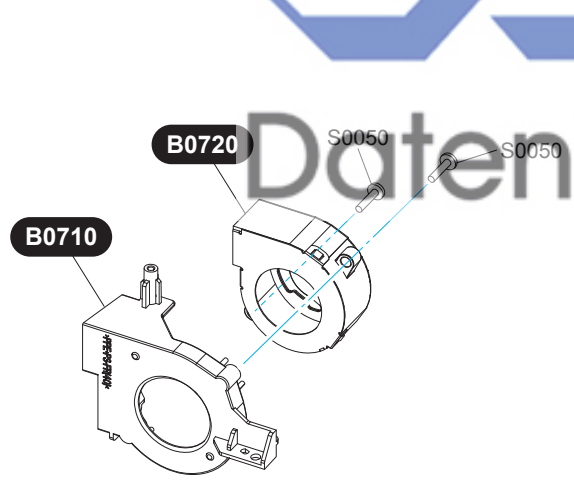
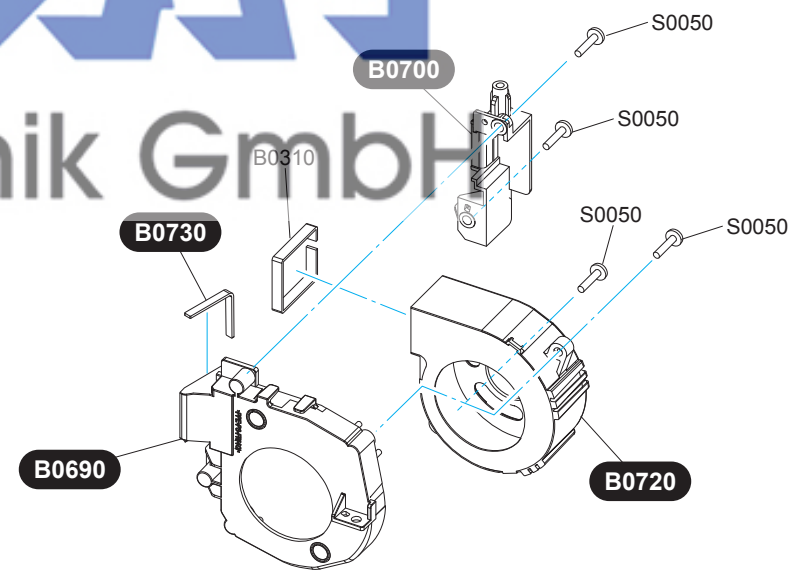


EB-2140W/2040

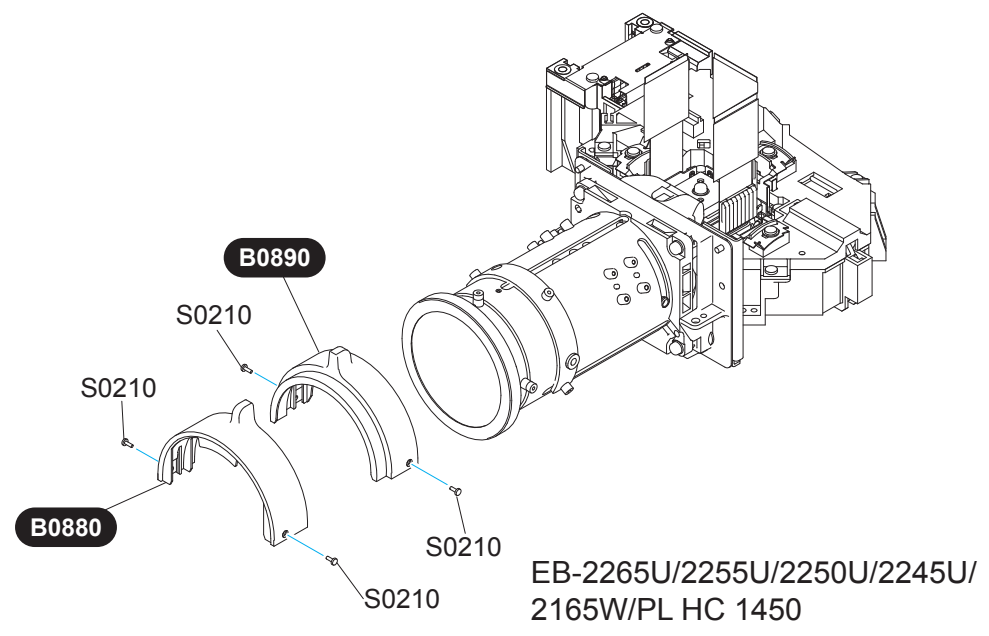
EB-2155W/2065/2055/PL 975W/CB-2050



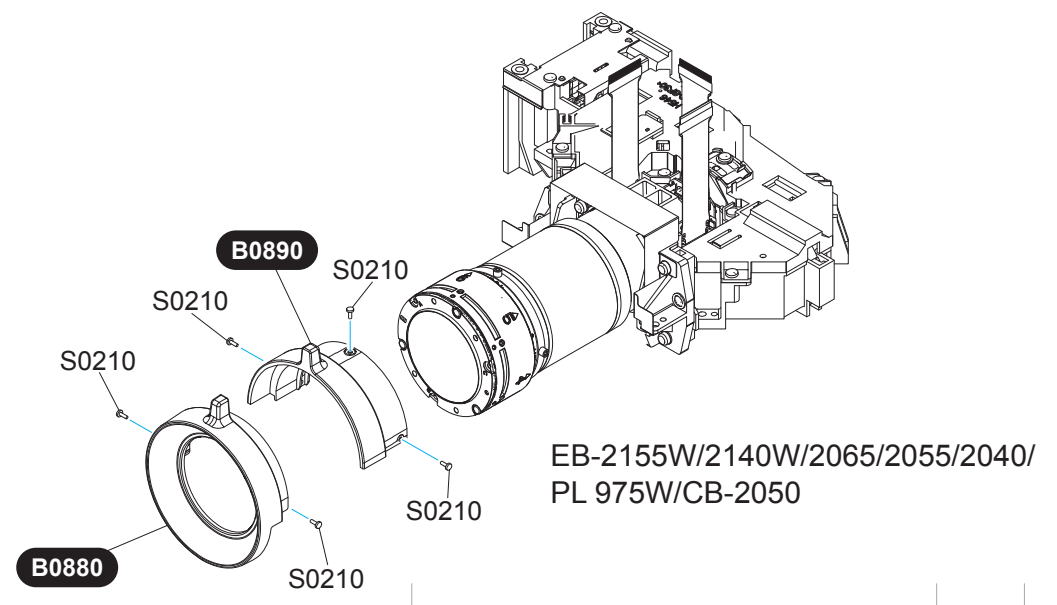
EB-2140W/2040



EB-2265U/2255U/2250U/2245U/2165W/2155W/2065/2055
PL HC 1450/PL 975W/CB-2050



EB-2265U/2255U/2250U/2245U/
2165W/PL HC 1450



EB-2155W/2140W/2065/2055/2040/
PL 975W/CB-2050

Notes:
White/Black reversed parts code (written by white text on black circle)
This parts are different by model and defined multiple parts code (please check SPI for actual parts code)
By case , some model have no parts though the parts is shown on this diagram.

	Addition of Ref# B1680	D
	Addition of Ref# B0395 x 2	C
	History	Rev.No.
Model Name	EB-2265U/2255U/2250U/2245U/2165W/2155W/2140W/ 2065/2055/2040/PL HC 1450/PL 975W/CB-2050	

