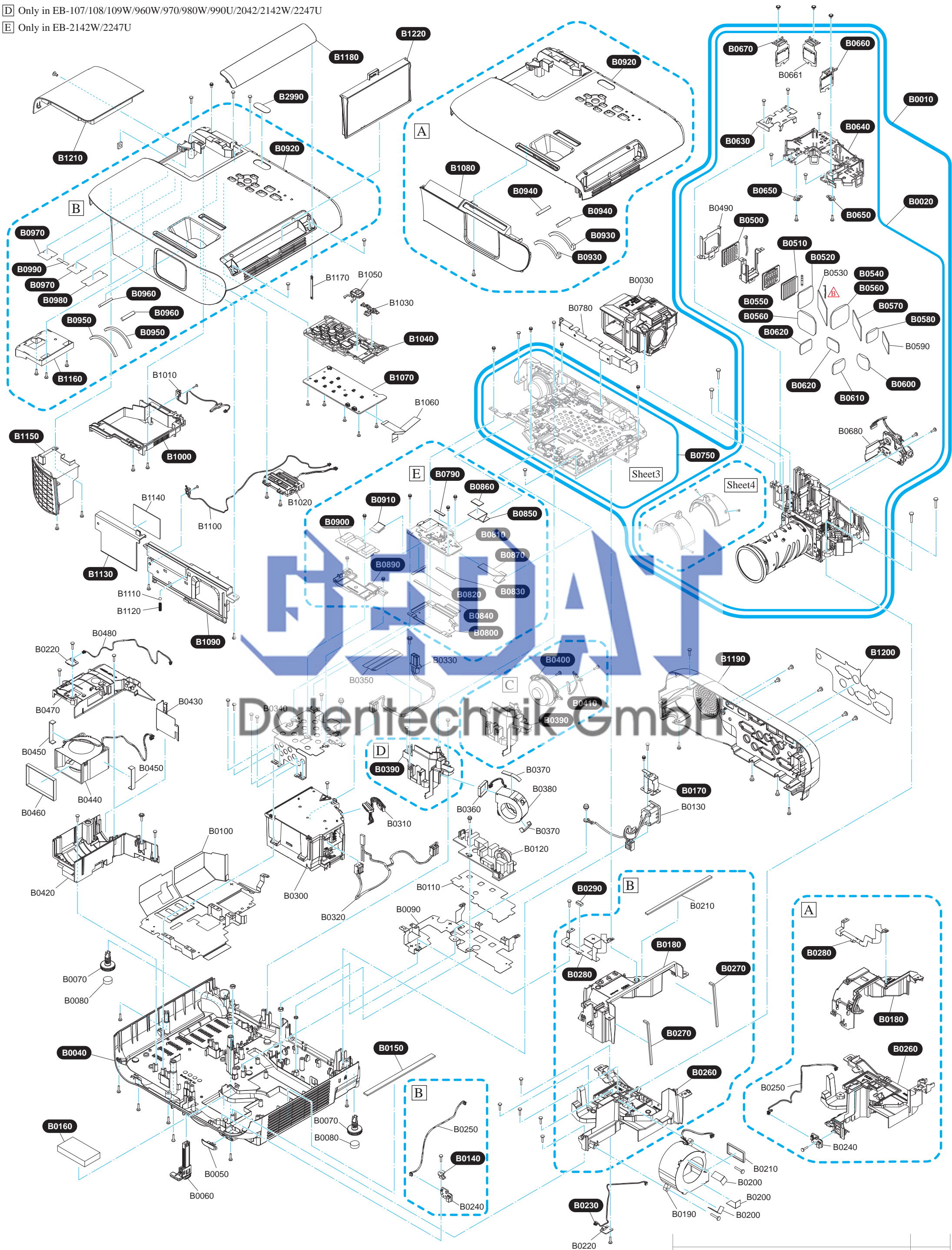


- A Only in EB-S39/X39/W39/107/108/109W/960W
- B Only in EB-970/980W/990U/2042/2142W/2247U
- C Only in EB-S39/X39/W39
- D Only in EB-107/108/109W/960W/970/980W/990U/2042/2142W/2247U
- E Only in EB-2142W/2247U



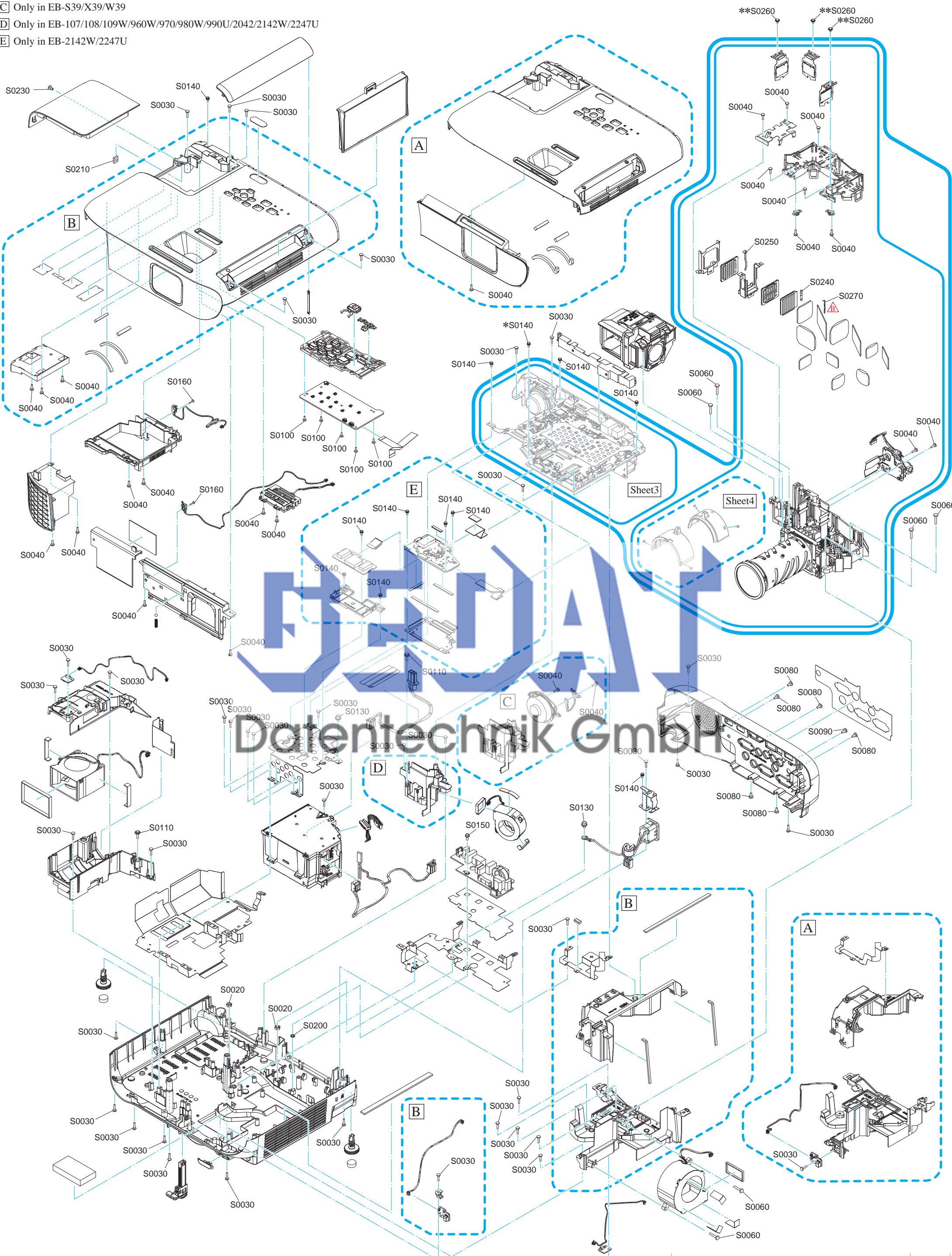
Notes:
 White/Black reversed parts code (written by white text on black circle)
 This parts are different by model and defined multiple parts code (please check SPI for actual parts code)
 By case, some model have no parts though the parts is shown on this diagram.

	Addition of S0270	B
	First Release	A
	History	Rev.No.
Model Name	EB-S39/X39/W39/107/108/109W/960W/970/980W 990U/2042/2142W/2247U	

- A Only in EB-S39/X39/W39/107/108/109W/960W
- B Only in EB-970/980W/990U/2042/2142W/2247U
- C Only in EB-S39/X39/W39
- D Only in EB-107/108/109W/960W/970/980W/990U/2042/2142W/2247U
- E Only in EB-2142W/2247U

*S0140
Only in EB-990U/2247U

**S0260
Not included in OPT ENGINE ASSY.

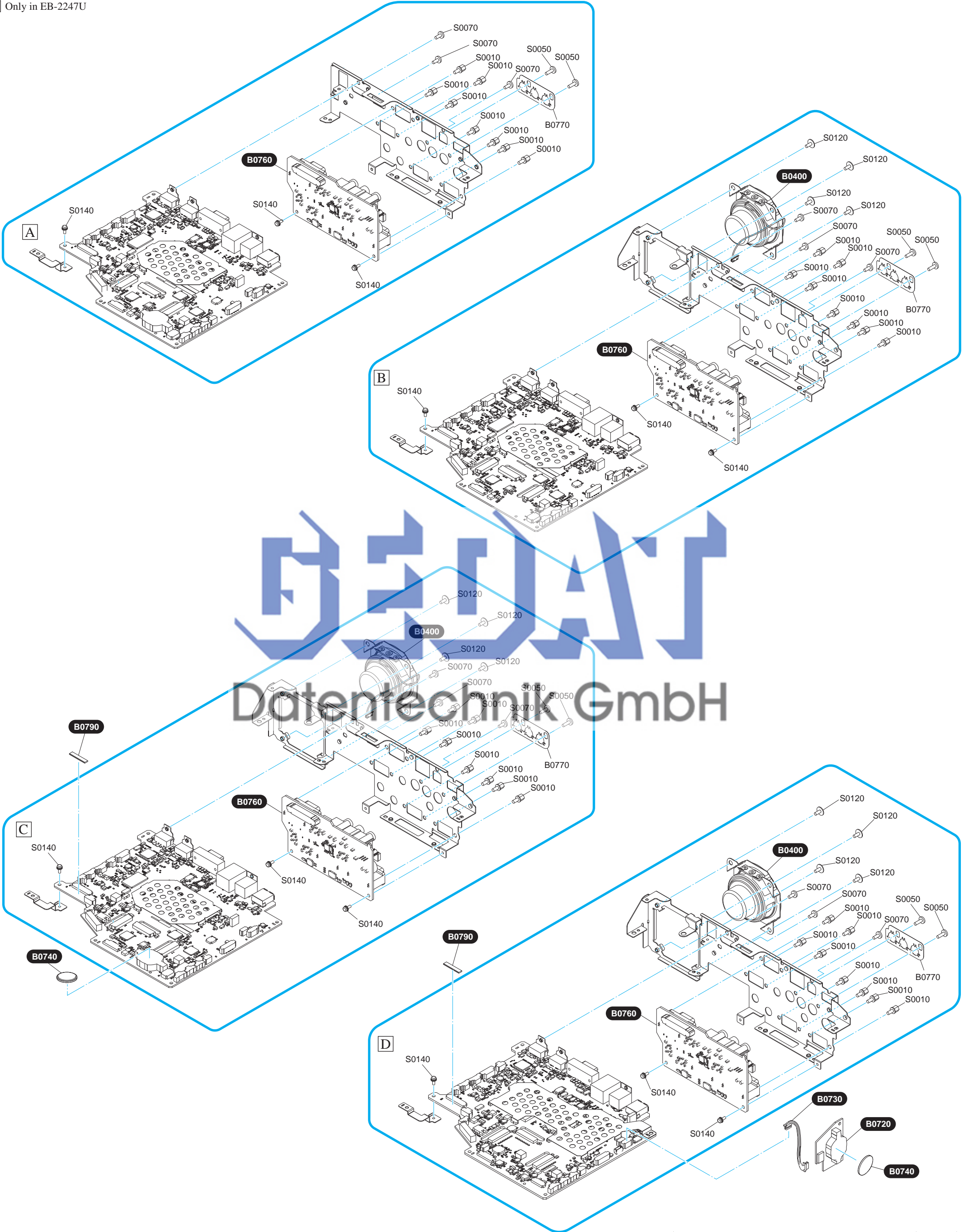


Notes:
 White/Black reversed parts code (written by white text on black circle)
 This parts are different by model and defined multiple parts code (please check SPI for actual parts code)
 By case , some model have no parts though the parts is shown on this diagram.

	Addition of S0270	
	First Release	B
	History	A
		Rev.No.
Model Name	EB-S39/X39/W39/107/108/109W/960W/970/980W/990U/2042/2142W/2247U	

Sheet3

- A Only in EB-S39/X39/W39
- B Only in EB-107/108/109W/960W/970/980W/990U/2042
- C Only in EB-2142W
- D Only in EB-2247U

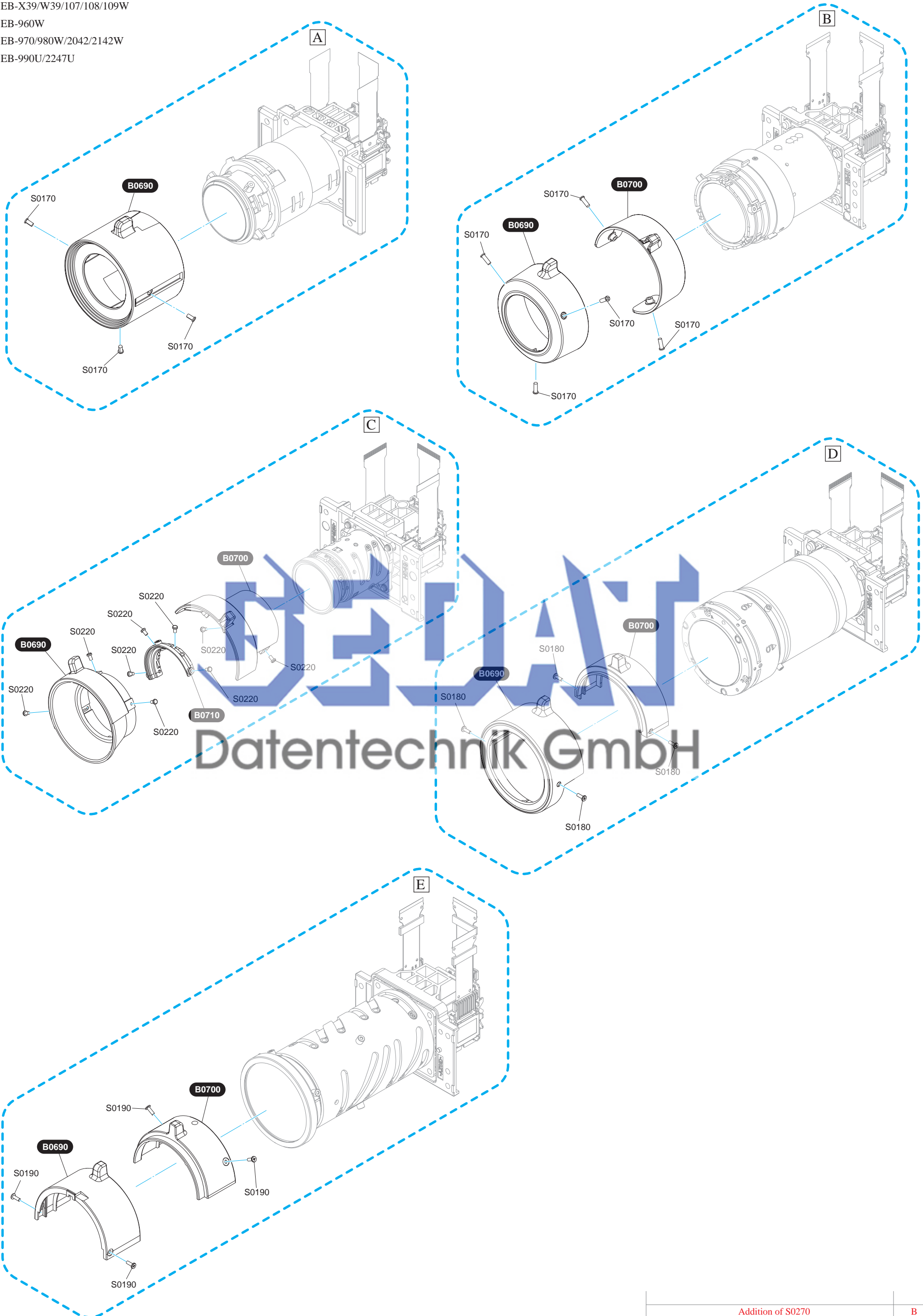


Notes:
 White/Black reversed parts code (written by white text on black circle)
 This parts are different by model and defined multiple parts code (please check SPI for actual parts code)
 By case , some model have no parts though the parts is shown on this diagram.

	Addition of S0270	B
	First Release	A
	History	Rev.No.
Model Name	EB-S39/X39/W39/107/108/109W/960W/970/980W 990U/2042/2142W/2247U	

Sheet4

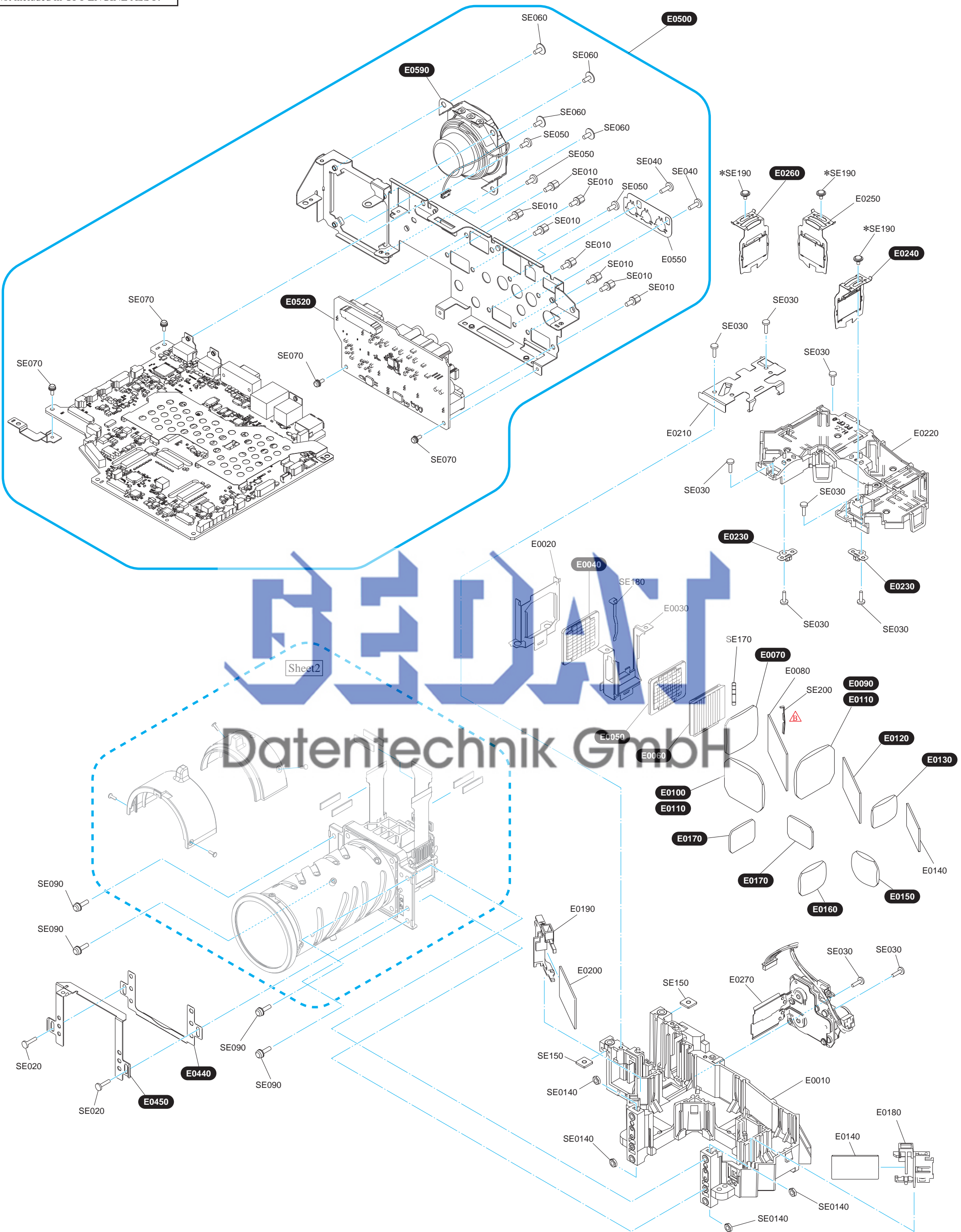
- A Only in EB-S39
- B Only in EB-X39/W39/107/108/109W
- C Only in EB-960W
- D Only in EB-970/980W/2042/2142W
- E Only in EB-990U/2247U



Notes:
 White/Black reversed parts code (written by white text on black circle)
 This parts are different by model and defined multiple parts code (please check SPI for actual parts code)
 By case, some model have no parts though the parts is shown on this diagram.

	Addition of S0270	B
	First Release	A
	History	Rev.No.
Model Name	EB-S39/X39/W39/107/108/109W/960W/970/980W 990U/2042/2142W/2247U	

*SE190
Not included in OPT ENGINE ASSY.



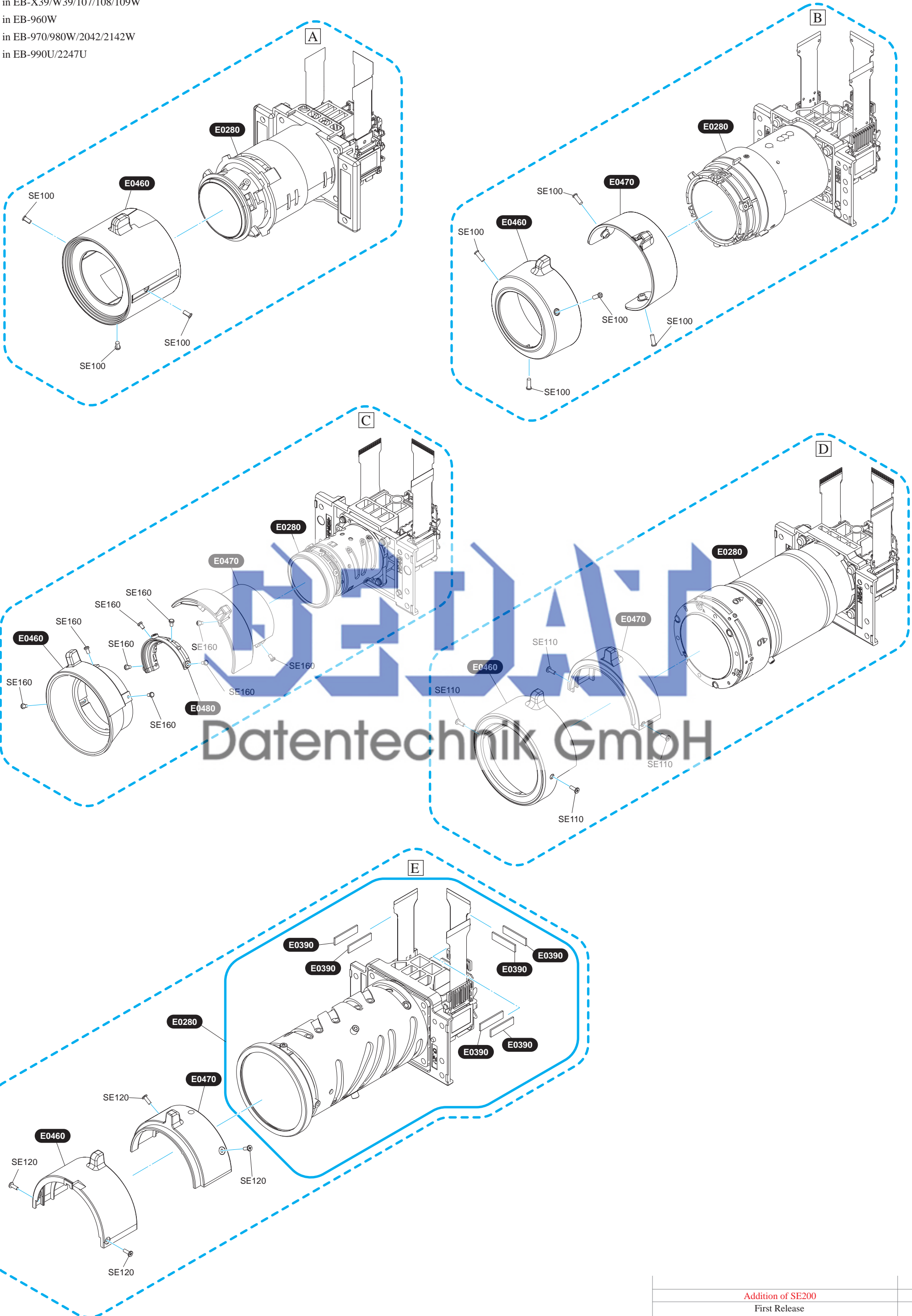
Sheet2

Datentechnik GmbH

Notes:
White/Black reversed parts code (written by white text on black circle)
This parts are different by model and defined multiple parts code (please check SPI for actual parts code)
By case, some model have no parts though the parts is shown on this diagram.

	Addition of SE200	B
	First Release	A
	History	Rev.No.
Model Name	EB-S39/X39/W39/107/108/109W/960W/970/980W 990U/2042/2142W/2247U	

- A Only in EB-S39
- B Only in EB-X39/W39/107/108/109W
- C Only in EB-960W
- D Only in EB-970/980W/2042/2142W
- E Only in EB-990U/2247U



Notes:
 White/Black reversed parts code (written by white text on black circle)
 This parts are different by model and defined multiple parts code (please check SPI for actual parts code)
 By case , some model have no parts though the parts is shown on this diagram.

	Addition of SE200	B
	First Release	A
	History	Rev.No.
Model Name	EB-S39/X39/W39/107/108/109W/960W/970/980W 990U/2042/2142W/2247U	