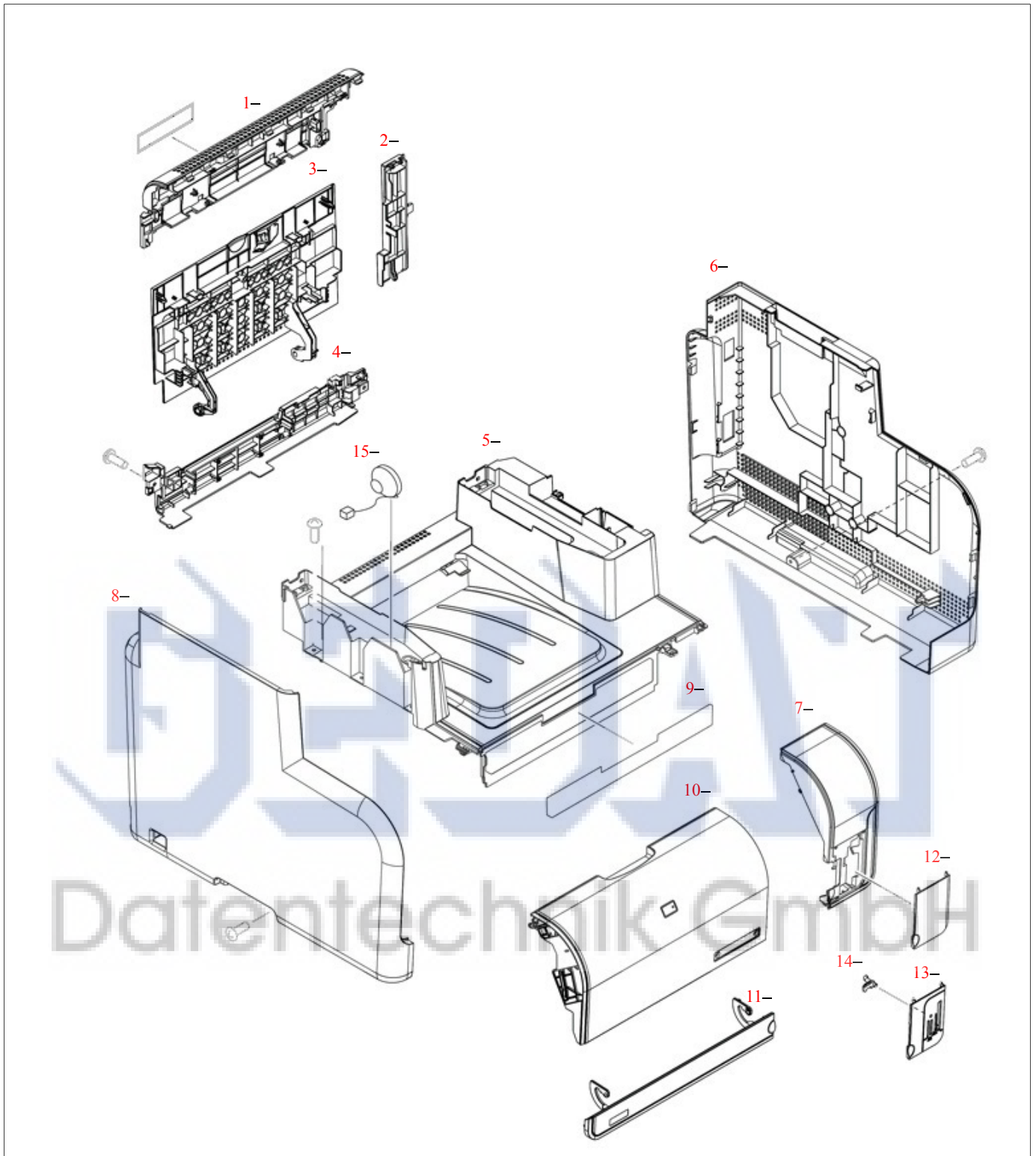


Assembly locations

REF	PartNumber	Description
1	RM1-4430-000CN	Fusing Assembly - Bonds toner to paper with heat - For 110-127VAC (+/- 10%) operation
	RM1-4431-000CN	Fusing Assembly - Bonds toner to paper with heat - For 220-240VAC (+/- 10%) operation
2	RM1-4922-000CN	150-sheet multipurpose paper input tray cassette
3	CC398-60001	Formatter (main logic) board - For fax/memory card models
4	CC367-60001	DAA fax card - For fax/memory card models only (Americas/Asia)
	CC514-60002	DAA fax card - For fax/memory card models only (Europe)
5	CC397-60001	Formatter (main logic) board - For base model only
6	CC431-00002	Formatter bracket - For fax/memory card models only
	CC401-60001	Memory card slot assembly - For fax/memory card models only
	CC431-67903	Memory card slot assembly - Used for memory card models only

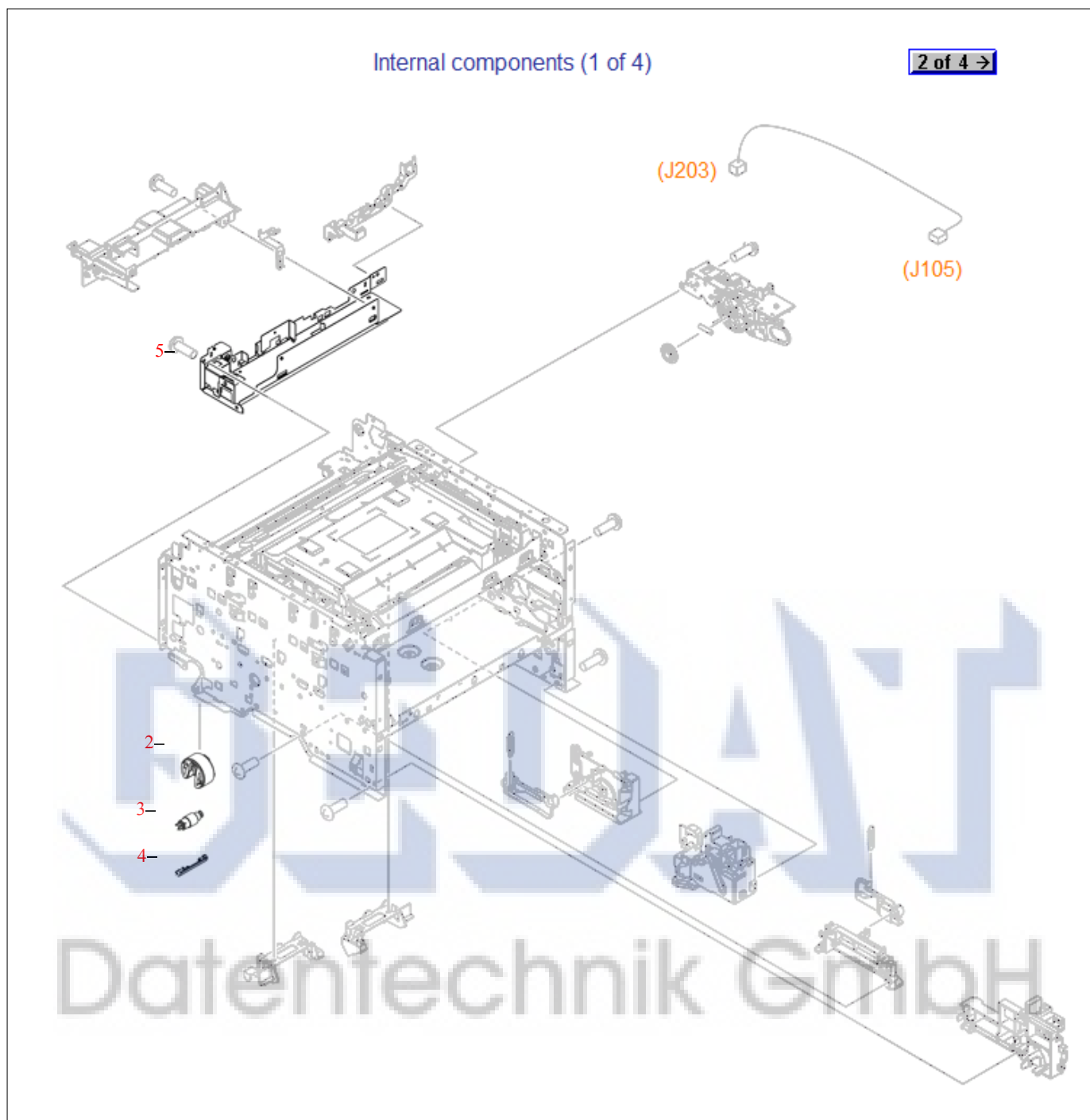


External panels and covers

REF	PartNumber	Description
1	RC2-3942-000CN	Rear upper cover - Plastic cover that protects the upper rear part of the printer
2	RC2-3959-000CN	Rear center cover
3	RC2-3956-000CN	Rear door - Located between the rear center cover and the rear lower cover
4	RC2-3958-000CN	Rear lower cover
5	RM1-4921-000CN	Upper cover assembly

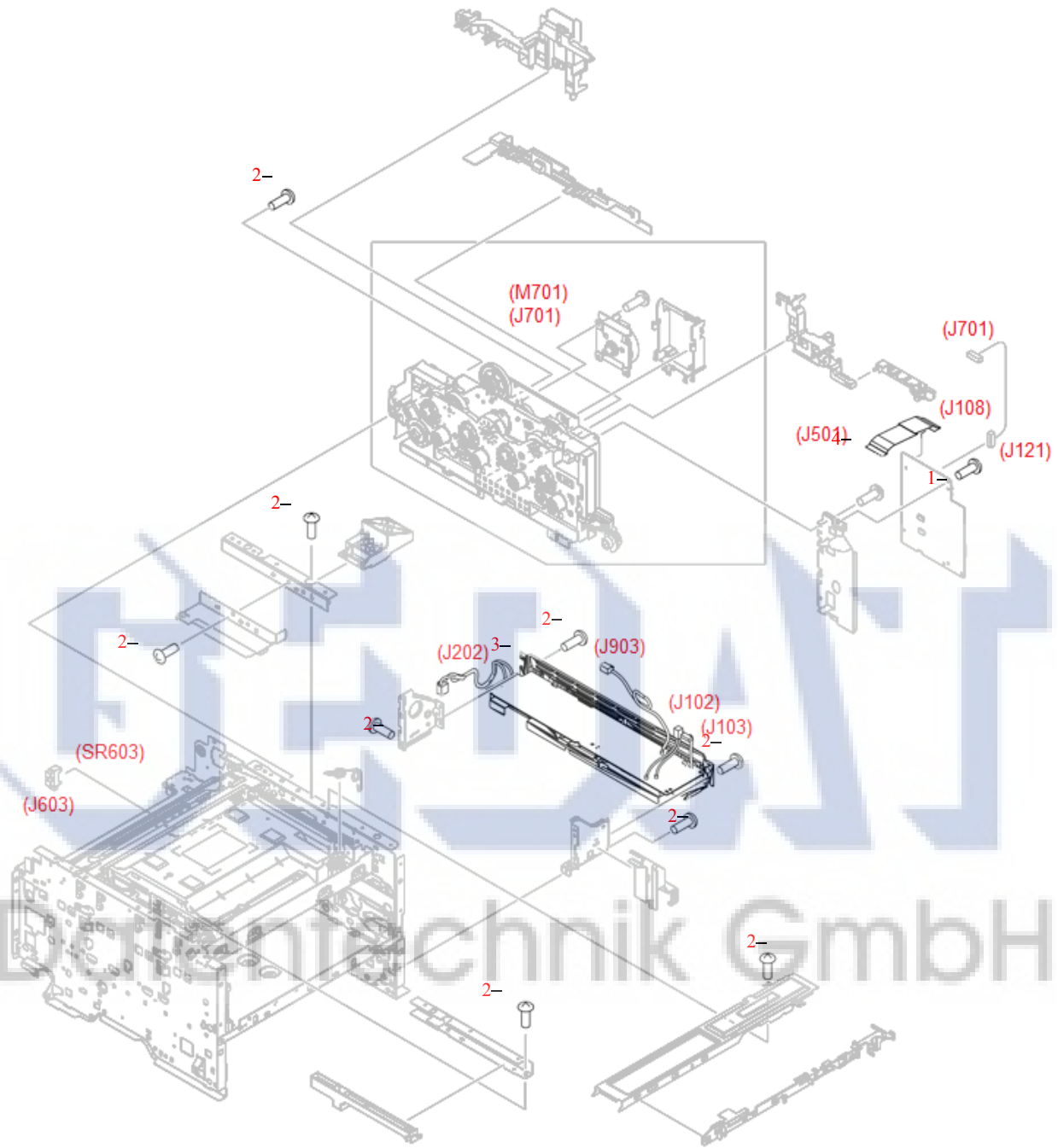
6	RC2-3943-000CN	Right cover - Protects the right side of the printer
7	RC2-3945-000CN	Front right cover - Located next to the front door
8	RC2-3944-000CN	Left cover - Protects the left side of the printer
9	RC2-3955-000CN	Front door assembly - Plastic door located on front of the printer
10	RC2-3955-000CN	Front door assembly - Plastic door located on front of the printer
11	RL1-1832-000CN	Lower front cover
12	RC2-3957-000CN	Blanking cover - Plastic cover that protects the memory card reader slot when is not present
13	RC2-3951-000CN	Memory card cover
14	RC2-3098-000CN	Light guide - For the Color LaserJet CP1510/CM1312 series printer
15	Q3948-60113	Internal speaker - Located on the left side of the printer





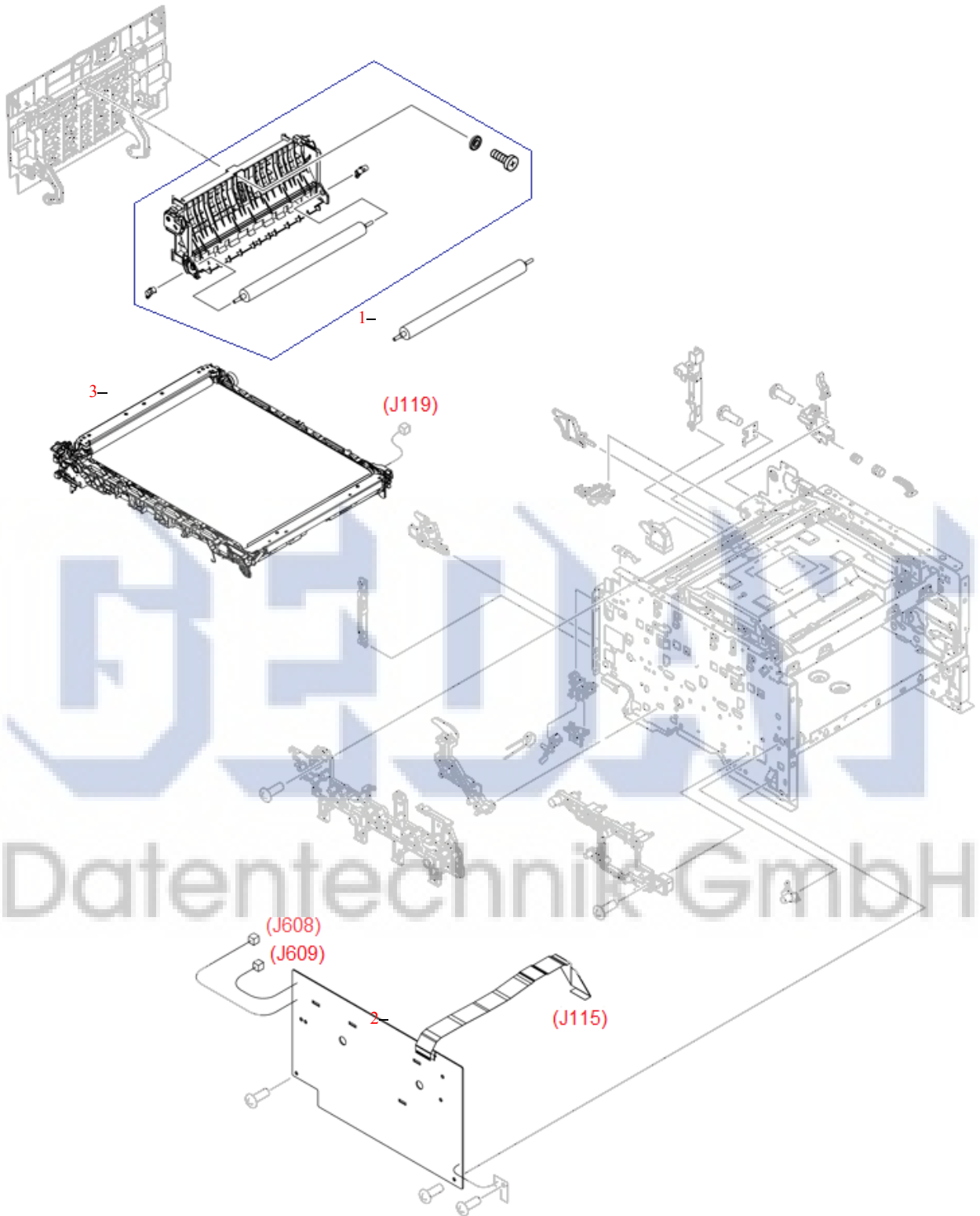
Internal components (1 of 4)

REF	PartNumber	Description
2	RM1-4426-000CN	Paper pickup roller (D-shaped roller) - Picks up media from the paper input tray
3	RM1-4425-000CN	Feed/separation roller - For the Color LaserJet CP1210/CP1510/CM1312MFP series printer
4	RC2-2014-000CN	Cover holder - Located below the separation roller - For Color LaserJet series printers
5	RM1-4776-000CN RM1-4777-000CN	Power supply - For the 110-127VAC (+/- 10%) fusing assembly Power supply - For the 220-240VAC (+/- 10%) fusing assembly



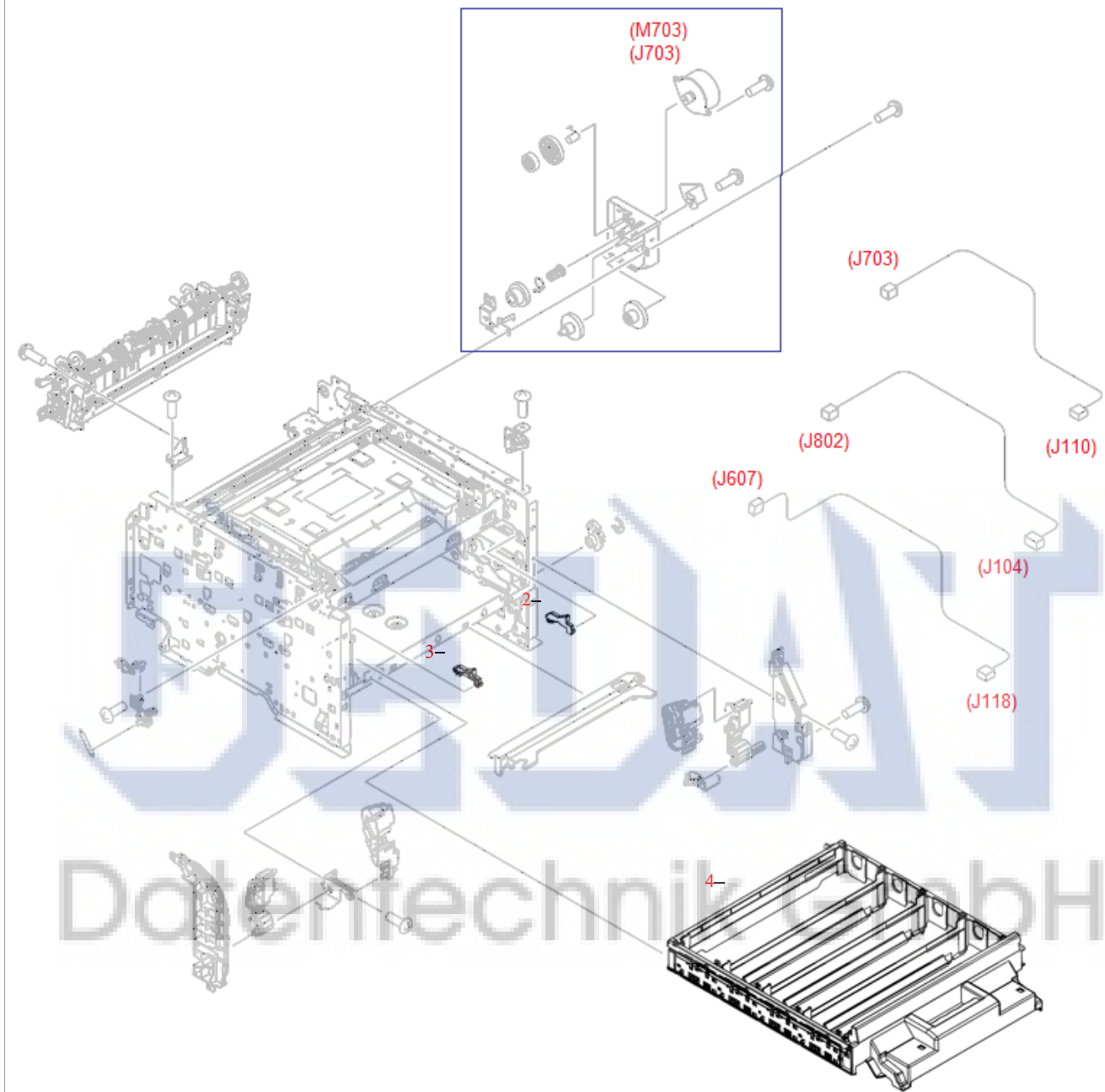
Internal components (2 of 4)

REF	PartNumber	Description
1	XA9-1449-000CN	M3 pan-head Phillips screw with machine threads - 8mm long
2	XA9-1671-000CN	Screw - M3 X 8mm long
3	RM1-5316-000CN RM1-5315-000CN	Low voltage power supply assembly - For 220-240 VAC Low voltage power supply assembly - For 110-127 VAC
4	RK2-1955-000CN	Flexible flat cable – Connect to the DC controller PCA assembly



Internal components (3 of 4)

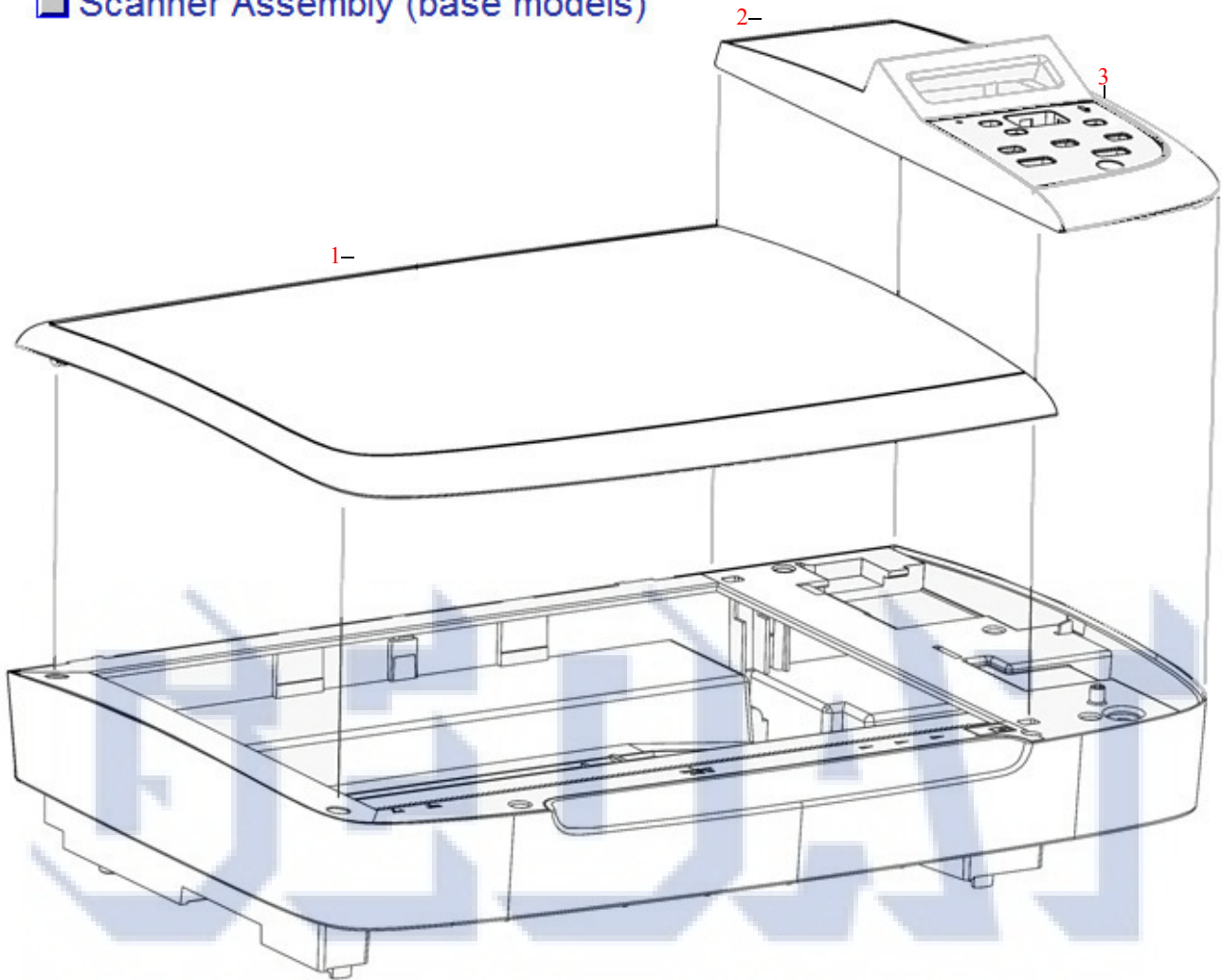
REF	PartNumber	Description
1	RM1-4445-000CN	Secondary transfer roller
2	RM1-4689-000CN	High voltage power supply PC board assembly
3	RM1-4436-000CN	INTERMEDIATE TRANS. BELT ASS Y



Internal components (1 of 4)

REF	PartNumber	Description
2	RC2-3109-000CN	Right side cartridge tray clamp
3	RC2-3108-000CN	Left side cartridge tray clamp
4	RM1-4428-000CN	Cartridge tray (drawer) assembly

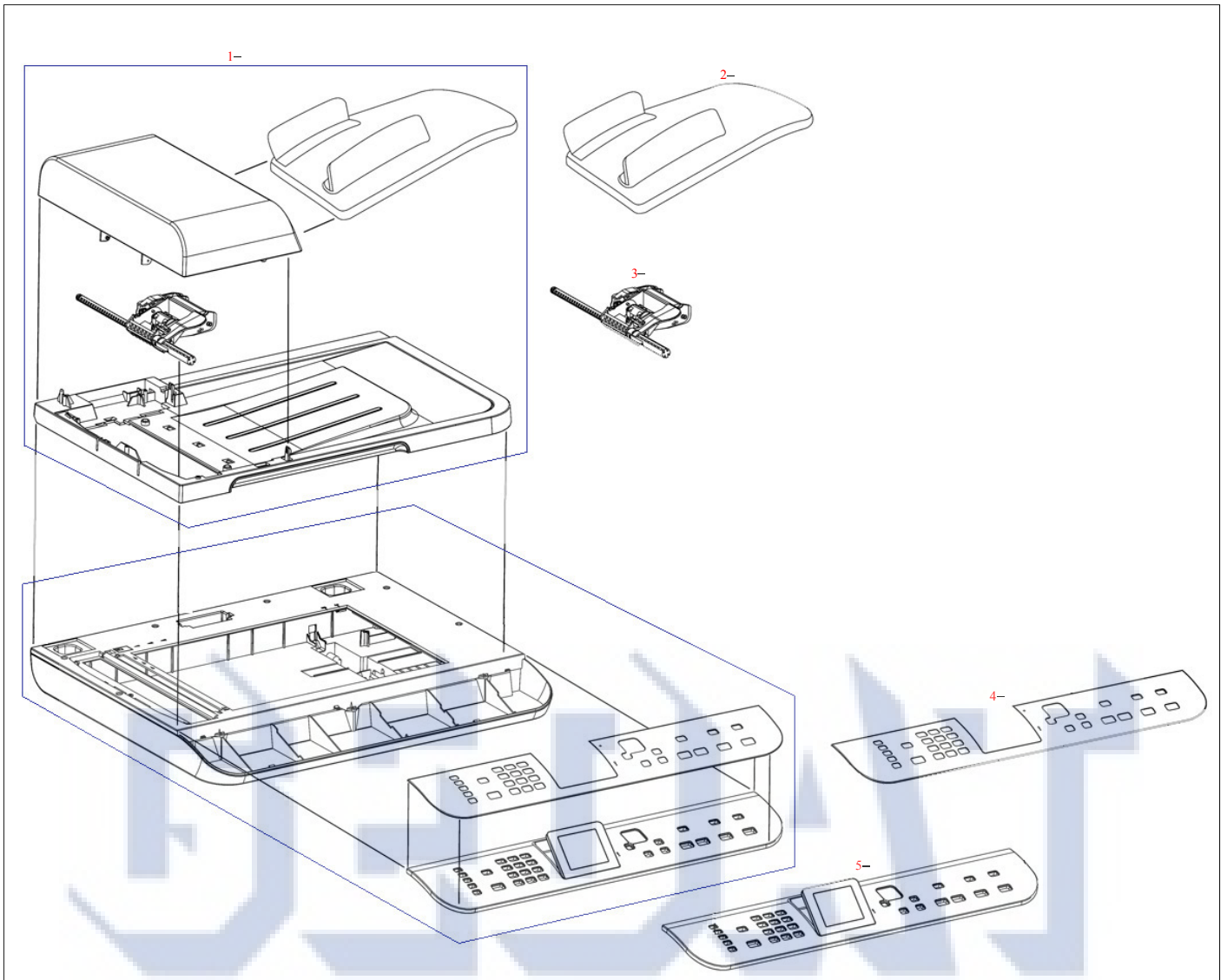
■ Scanner Assembly (base models)



Scanner assembly (base models)

REF	PartNumber	Description
1	CC430-60109	Scanner lid assembly - Top door that covers the scanner glass - For base model only
2	CC430-60101	Control panel assembly - Control buttons and display located on the top right side of scanner assembly (Western)
	CC430-60102	Control panel assembly - Control buttons and display located on the top right side of scanner assembly (Asian)
3	CC430-00002	Control panel overlay - Snaps on top of the control panel assembly (English)
	CC430-00003	Control panel overlay - Snaps on top of the control panel assembly (Spanish)
	CC430-00007	Control panel overlay - Snaps on top of the control panel assembly (Dutch)
	CC430-00023	Control panel overlay - Snaps on top of the control panel assembly (Korean)
	CC430-00014	Control panel overlay - Snaps on top of the control panel assembly (Czech)

CC430-00022	Control panel overlay - Snaps on top of the control panel assembly (Traditional Chinese)
CC430-00015	Control panel overlay - Snaps on top of the control panel assembly (Hungarian)
CC430-00024	Control panel overlay - Snaps on top of the control panel assembly (Simplified Chinese)
CC430-00005	Control panel overlay - Snaps on top of the control panel assembly (German)
CC430-00010	Control panel overlay - Snaps on top of the control panel assembly (Norwegian)
CC430-00025	Control panel overlay - Snaps on top of the control panel assembly (Thai)
CC430-00008	Control panel overlay - Snaps on top of the control panel assembly (Italian)
CC430-00021	Control panel overlay - Snaps on top of the control panel assembly (Arabic)
CC430-00013	Control panel overlay - Snaps on top of the control panel assembly (Russian)
CC430-00020	Control panel overlay - Snaps on top of the control panel assembly (Hebrew)
CC430-00011	Control panel overlay - Snaps on top of the control panel assembly (Finnish)
CC430-00012	Control panel overlay - Snaps on top of the control panel assembly (Danish)
CC430-00019	Control panel overlay - Snaps on top of the control panel assembly (Greek)
CC430-00026	Control panel overlay - Snaps on top of the control panel assembly (Vietnamese)
CC430-00016	Control panel overlay - Snaps on top of the control panel assembly (Polish)
CC430-00006	Control panel overlay - Snaps on top of the control panel assembly (French)
CC430-00018	Control panel overlay - Snaps on top of the control panel assembly (Turkish)
CC430-00004	Control panel overlay - Snaps on top of the control panel assembly (Portuguese)
CC430-00017	Control panel overlay - Snaps on top of the control panel assembly (Slovak)
CC430-00009	Control panel overlay - Snaps on top of the control panel assembly (Swedish)



Scanner assembly (fax/memory-card models)

REF	PartNumber	Description
1	CC431-60131	Automatic document feeder (ADF) assembly
2	CC431-60119	Automatic document feeder (ADF) input tray
3	5851-2559	ADF pickup roller assembly - Includes frame that pickup rollers attach to and both pickup rollers
4	CC431-00002	Formatter bracket - For fax/memory card models only
	CC431-40008	Control panel overlay - Snaps on top of the control panel assembly - For fax/memory card models only (Italian)
	CC431-40004	Control panel overlay - Snaps on top of the control panel assembly - For fax/memory card models only (Portuguese)
	CC431-40026	Control panel overlay - Snaps on top of the control panel assembly - For fax/memory card models only (Vietnamese)
	CC431-40023	Control panel overlay - Snaps on top of the control panel assembly - For fax/memory card models only (Korean)
	CC431-40022	Control panel overlay - Snaps on top of the control panel assembly - For fax/memory card models only (Traditional Chinese)
	CC431-40020	Control panel overlay - Snaps on top of the control panel assembly - For fax/memory card models only (Hebrew)
	CC431-40006	Control panel overlay - Snaps on top of the control panel assembly - For fax/memory card models only (French)
	CC431-40003	Control panel overlay - Snaps on top of the control panel assembly - For fax/memory card models only (Spanish)
	CC431-40019	Control panel overlay - Snaps on top of the control panel assembly - For fax/memory card models only (Greek)
	CC431-40009	Control panel overlay - Snaps on top of the control panel assembly - For fax/memory card models only (Swedish)
	CC431-40017	Control panel overlay - Snaps on top of the control panel assembly - For fax/memory card models only (Slovak)
	CC431-40021	Control panel overlay - Snaps on top of the control panel assembly - For fax/memory card models only (Arabic)
	CC431-40025	Control panel overlay - Snaps on top of the control panel assembly - For fax/memory card models only (Thai)
	CC431-40002	Control panel overlay - Snaps on top of the control panel assembly - For fax/memory card models only (English)
	CC431-40015	Control panel overlay - Snaps on top of the control panel assembly - For fax/memory card models only (Hungarian)
	CC431-40005	Control panel overlay - Snaps on top of the control panel assembly - For fax/memory card models only (German)
	CC431-40024	Control panel overlay - Snaps on top of the control panel assembly - For fax/memory card models only (Simplified Chinese)
	CC431-40013	Control panel overlay - Snaps on top of the control panel assembly - For fax/memory card models only (Russian)
	CC431-40018	Control panel overlay - Snaps on top of the control panel assembly - For fax/memory card models only (Turkish)
	CC431-40014	Control panel overlay - Snaps on top of the control panel assembly - For fax/memory card models only (Czech)
	CC431-40010	Control panel overlay - Snaps on top of the control panel assembly - For fax/memory card models only (Norwegian)
	CC431-40012	Control panel overlay - Snaps on top of the control panel assembly - For fax/memory card models only (Danish)
	CC431-40011	Control panel overlay - Snaps on top of the control panel assembly - For fax/memory card models only (Finnish)
	CC431-40007	Control panel overlay - Snaps on top of the control panel assembly - For fax/memory card models only (Dutch)

	CC431-40016	Control panel overlay - Snaps on top of the control panel assembly - For fax/memory card models only (Polish)
5	CC431-60101	Control panel assembly - Control buttons and display located on top front of printer - For fax/memory card models only

GEDAT

Datentechnik GmbH