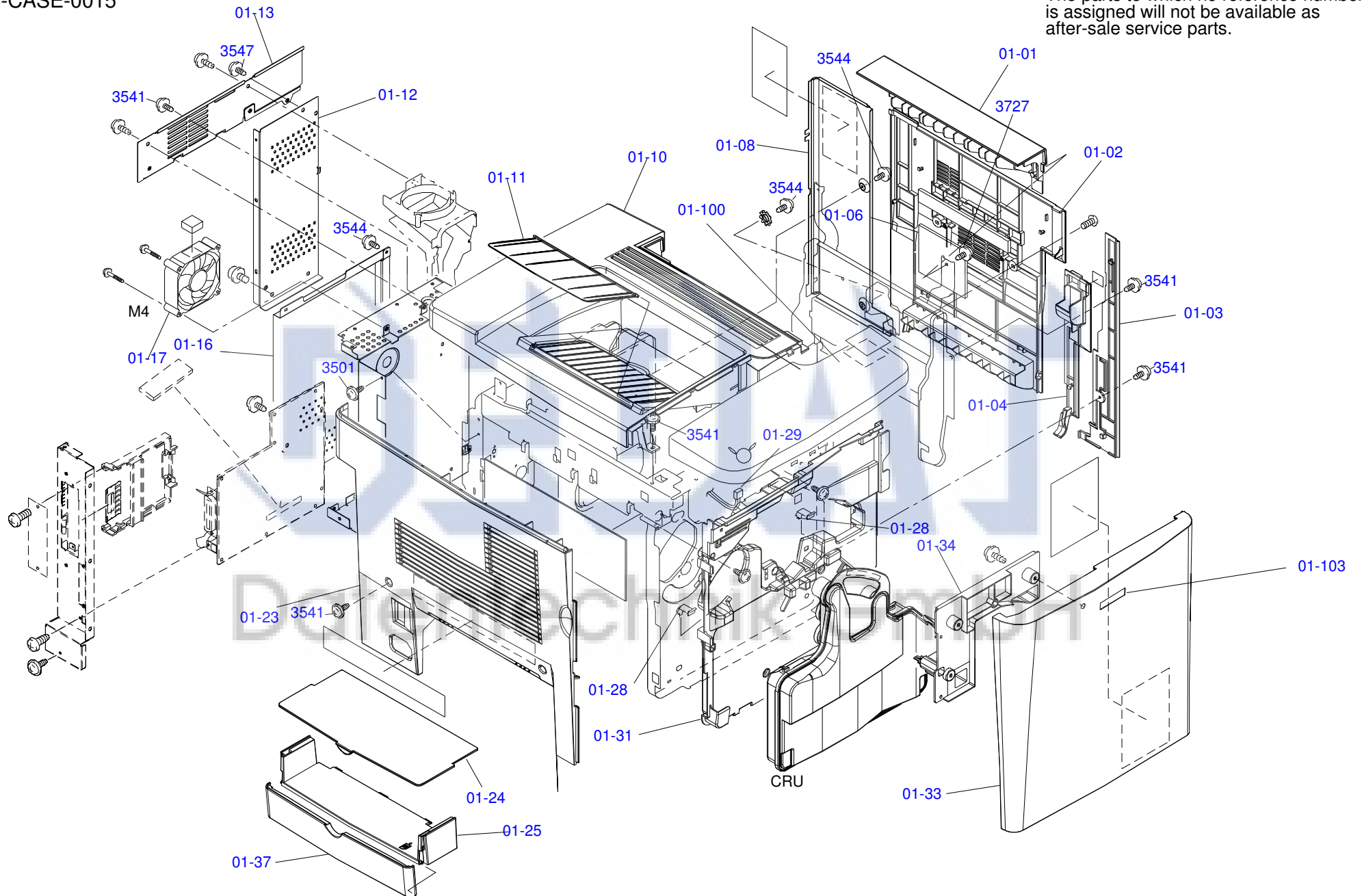
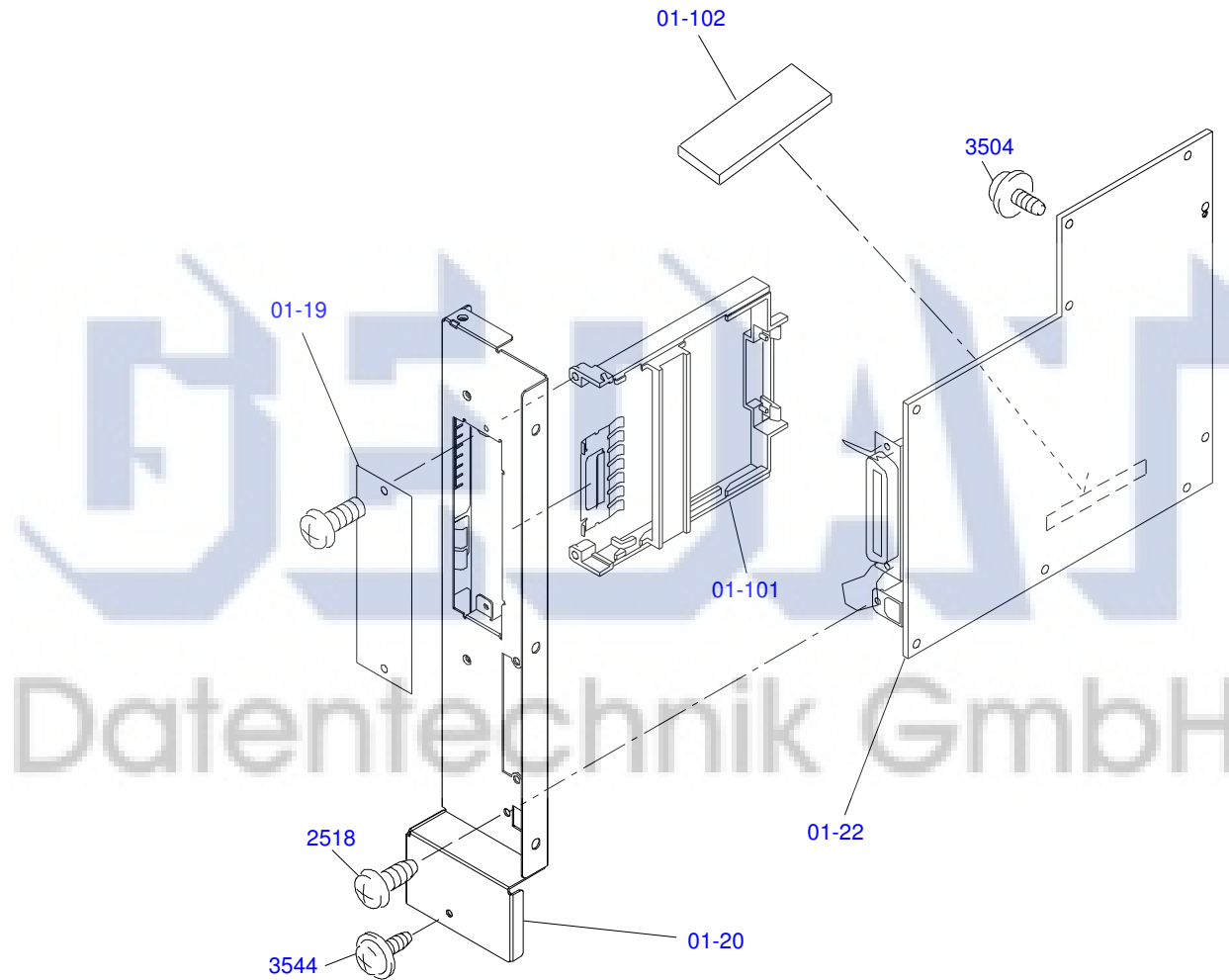


The parts to which no reference number is assigned will not be available as after-sale service parts.

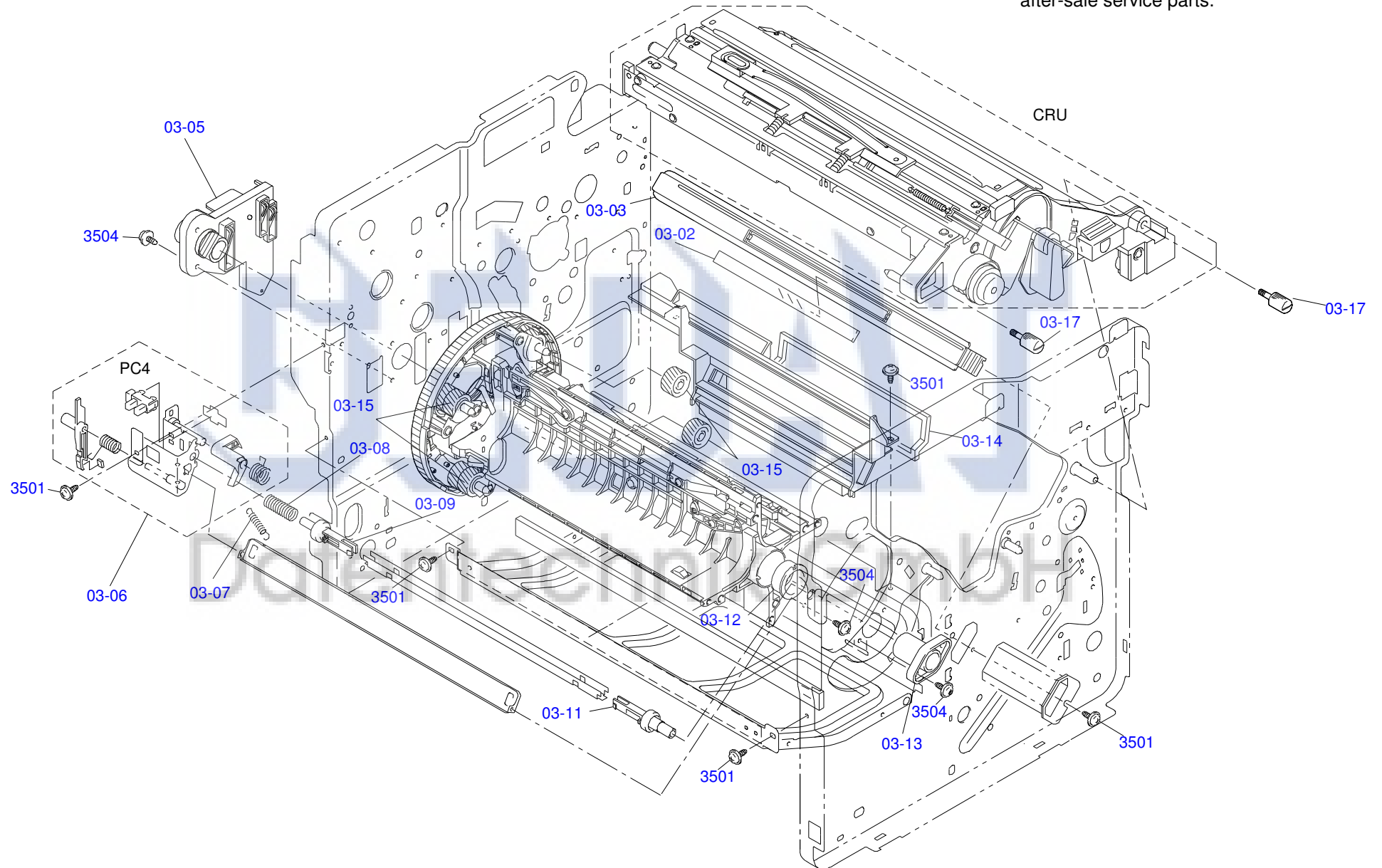


The parts to which no reference number is assigned will not be available as after-sale service parts.



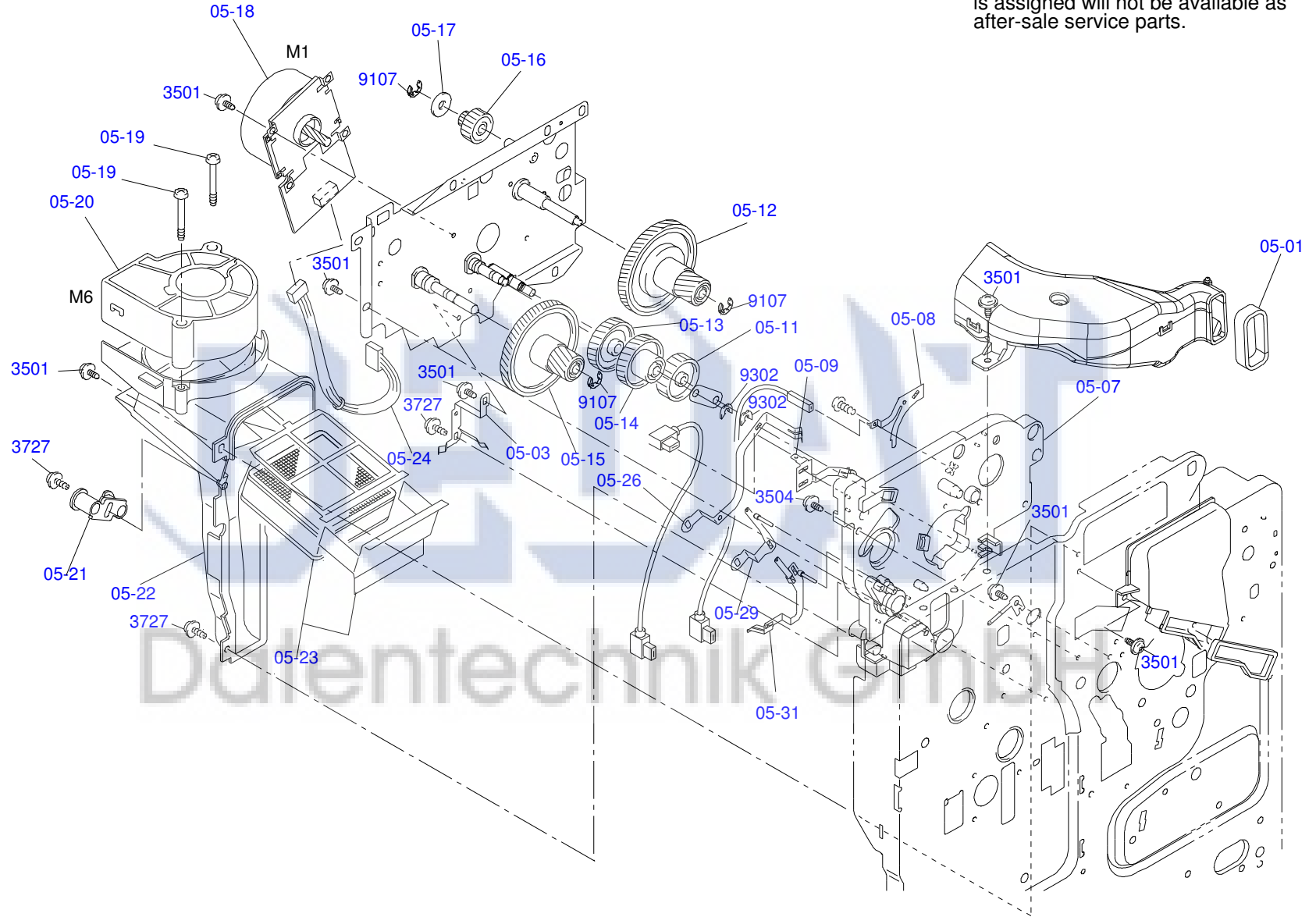
C494-MECH-0024

The parts to which no reference number is assigned will not be available as after-sale service parts.



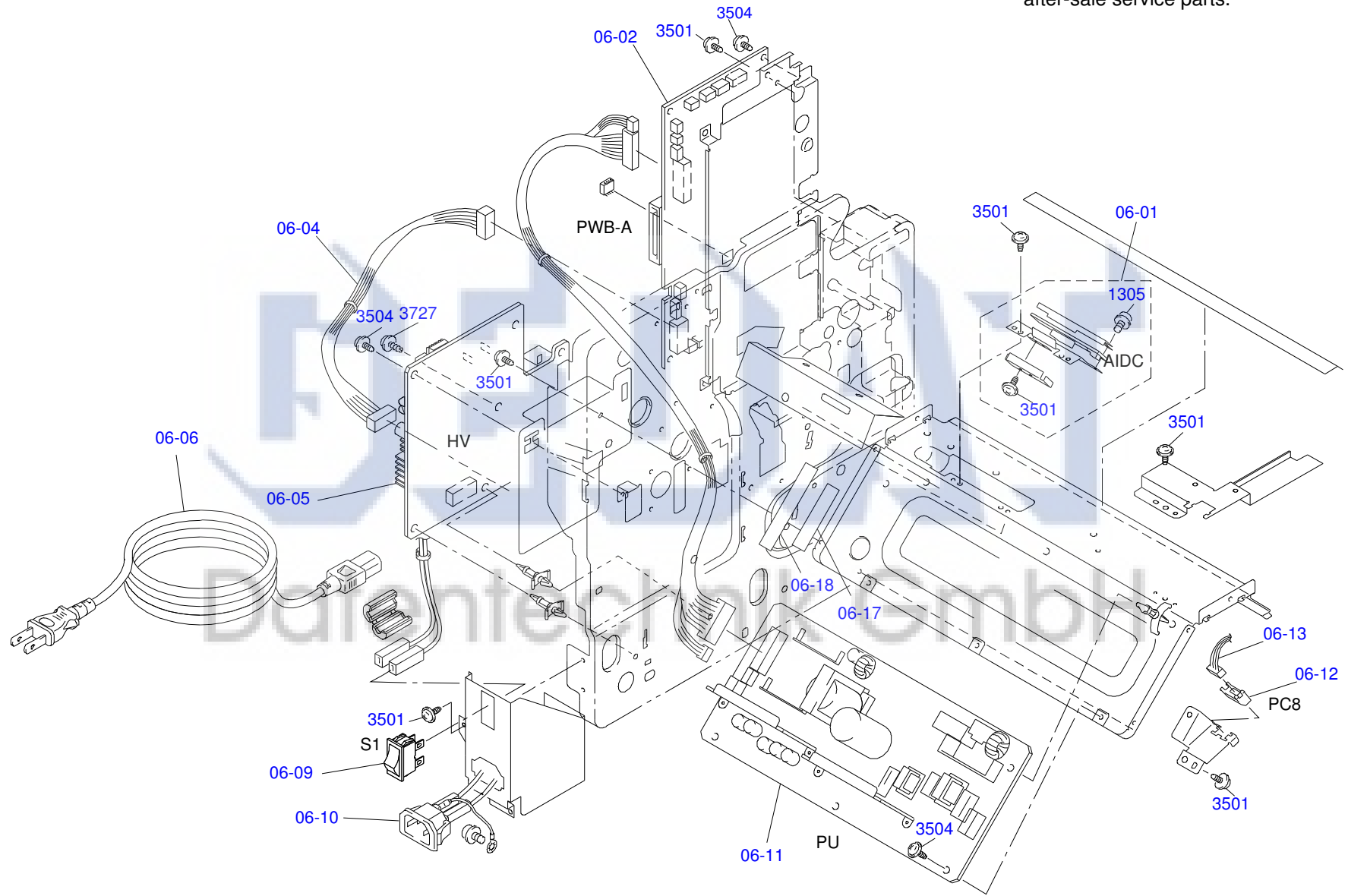
C494-MECH-0043

The parts to which no reference number is assigned will not be available as after-sale service parts.

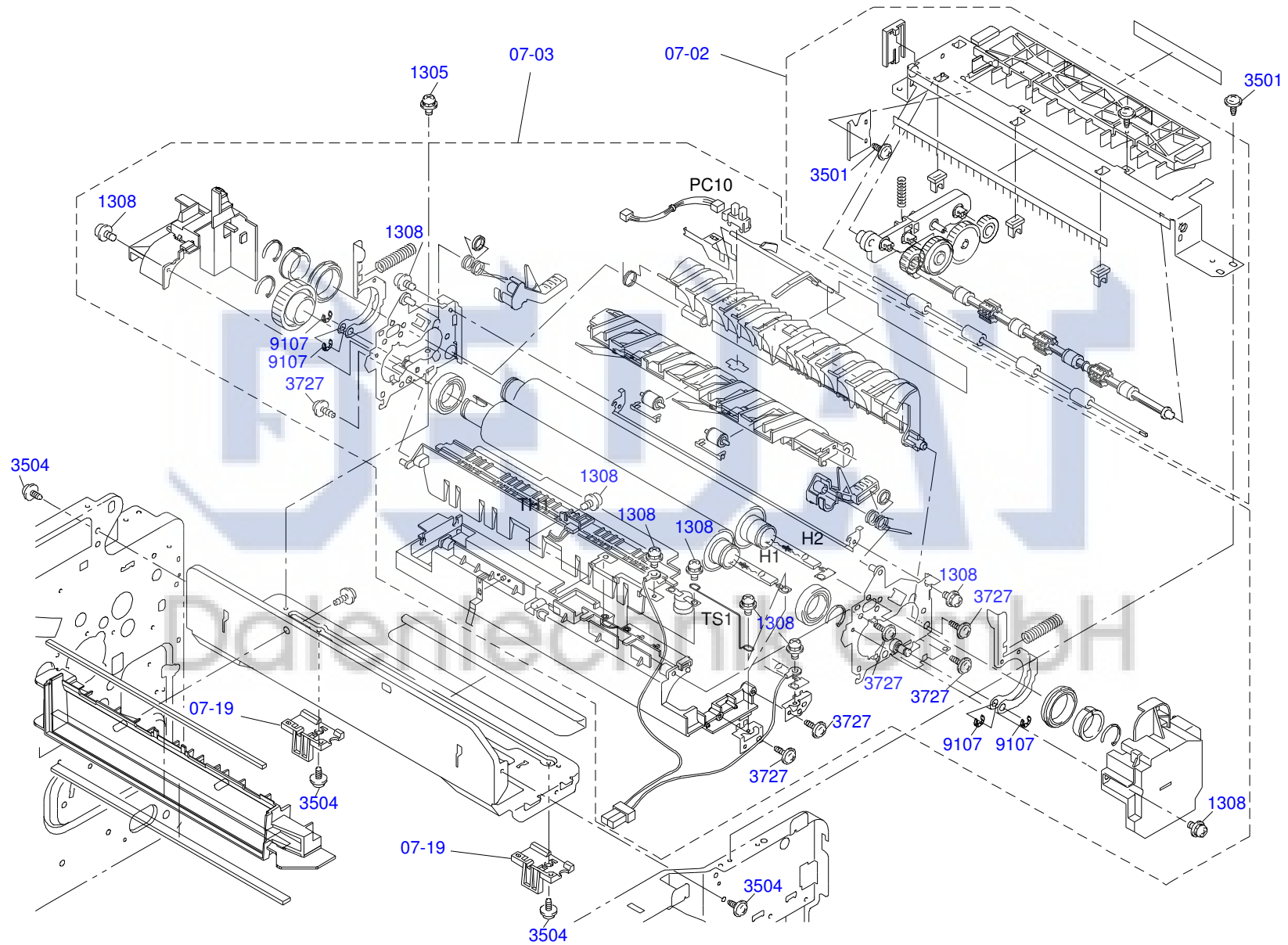


C494-MECH-0054

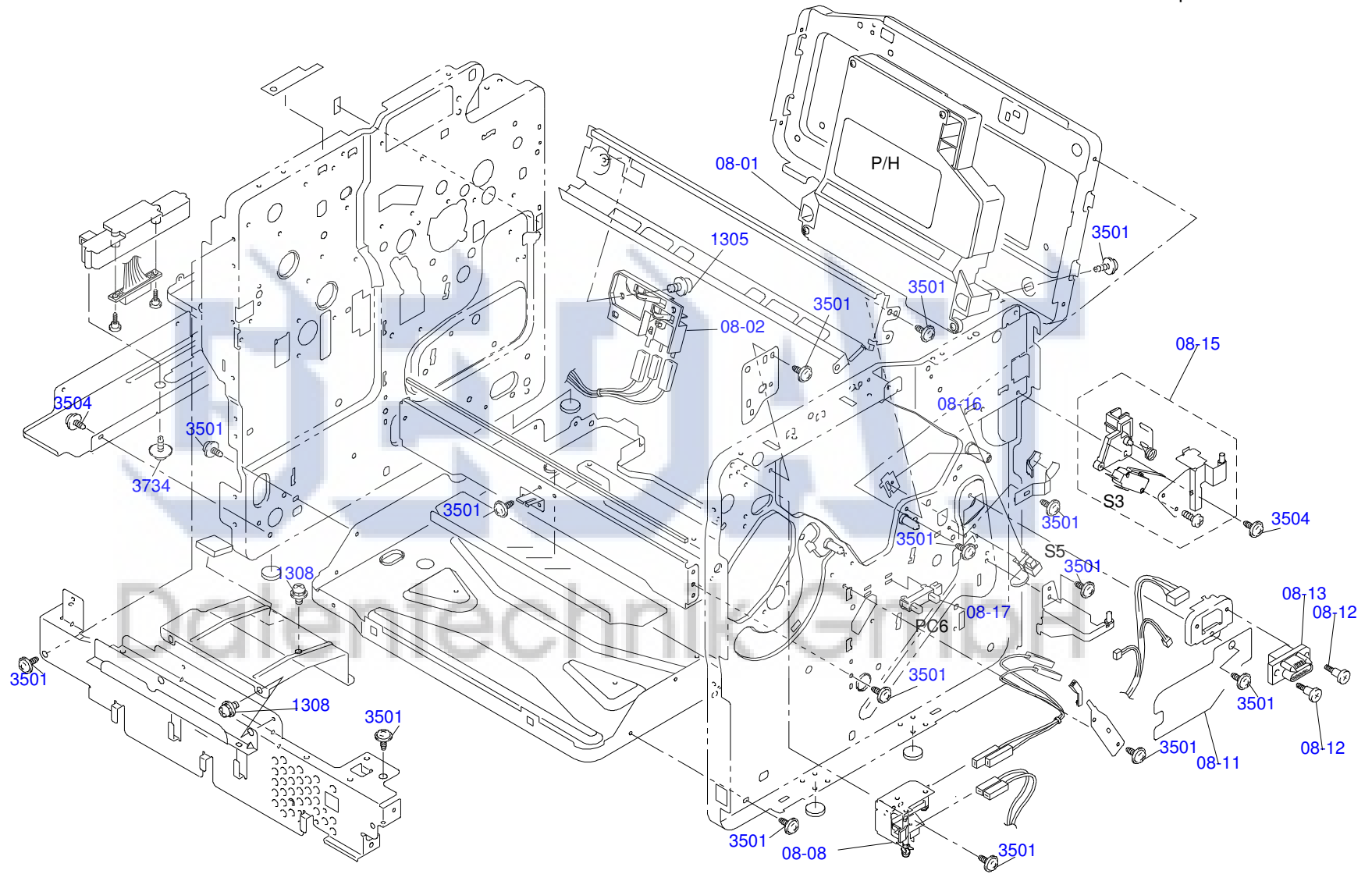
The parts to which no reference number is assigned will not be available as after-sale service parts.

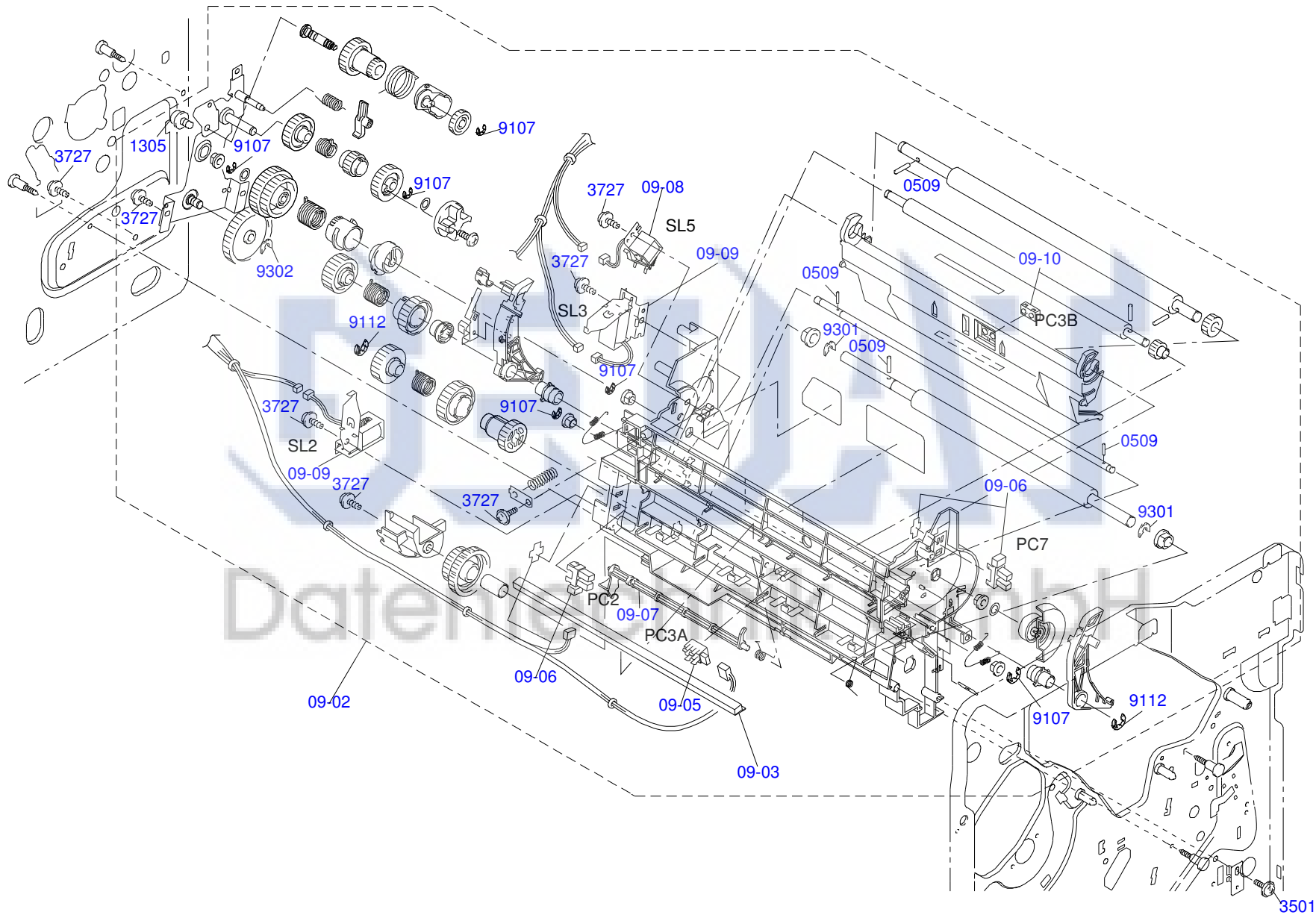


The parts to which no reference number is assigned will not be available as after-sale service parts.



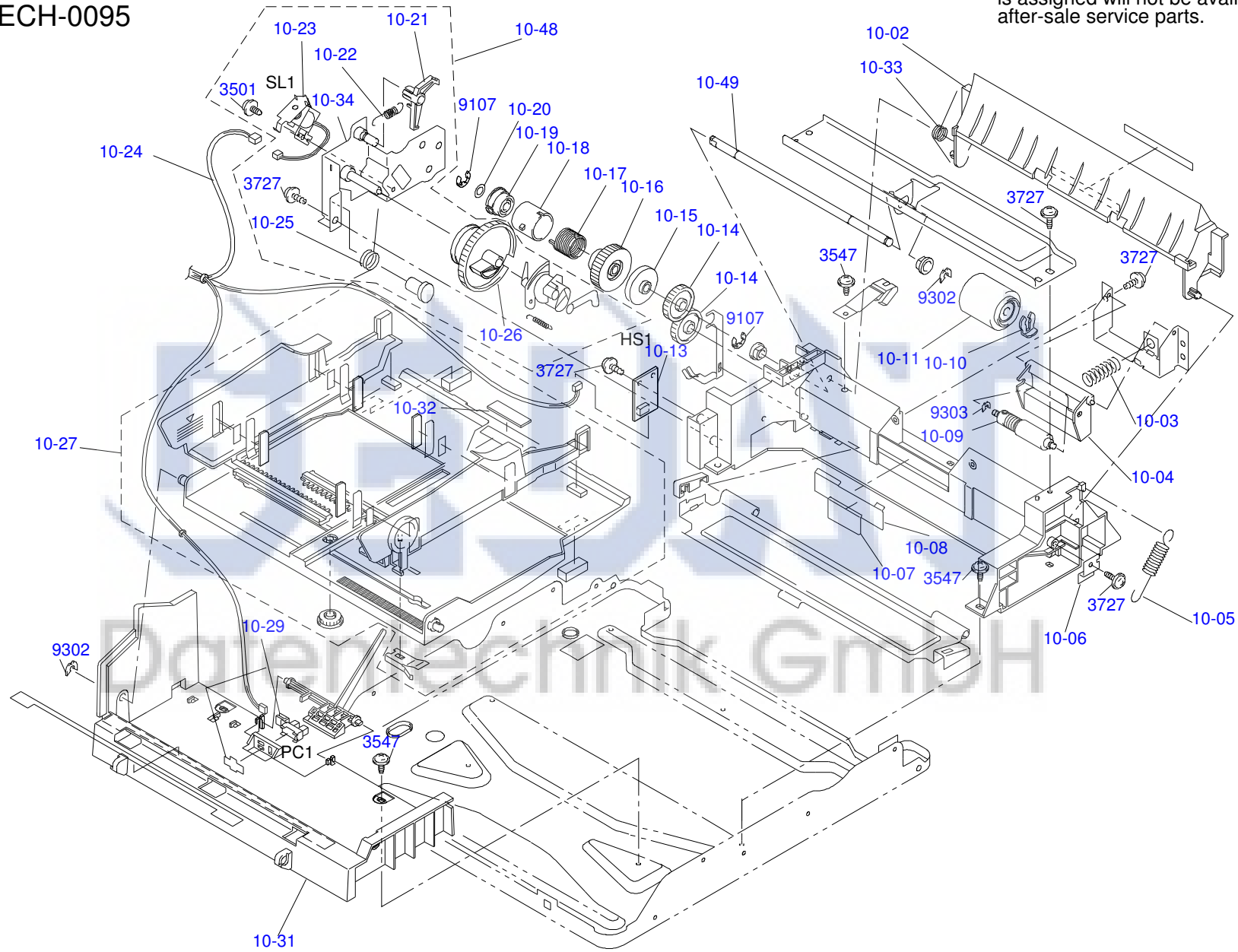
The parts to which no reference number is assigned will not be available as after-sale service parts.





C494-MECH-0095

The parts to which no reference number is assigned will not be available as after-sale service parts.



The parts to which no reference number is assigned will not be available as after-sale service parts.

